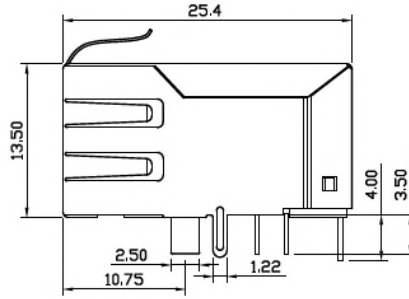
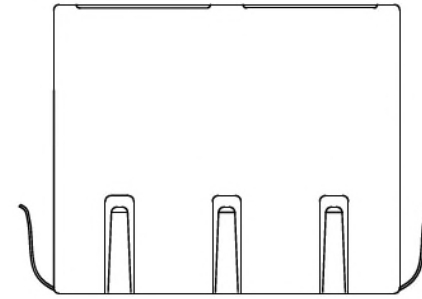


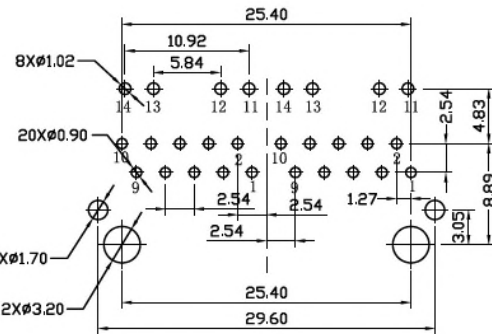
Front Side View



Left Side View



Top Side View



Suggested PCB Layout (Top View)

SPECIFICATIONS

Housing: Thermoplastic, UL94V-0
 Contacts: Copper Alloy
 Shield: Copper Alloy
 Shield Plating: Nickel
 Contact Plating: Gold
 Processing Temp: 265°C/5-sec

LED Color Codes	
Code	LED
R	Red
G	Green
Y	Yellow
O	Orange
A	Amber
D	Red/Green
E	Red/Yellow
W	Yellow/Green
P	Orange/Green
K	Blank

Panel Grounds (X)	
Blank	None
1,2	Top
4	Sides
6	Both

Series	Positions	Ports	Body Style	LED	Contacts	Plating	Options
GCTJ	08	XX	TMM27305	LXX	8	PX	XX
Ganged modular jack;	8 positions	2-10	See drawing	L=LEDs XX=Left/Right (see chart)	8 contacts	P0=6µ" P1=15µ" P2=30µ" P3=50µ"	Blank=None SX=Full shield (see chart) MS=Shielded face

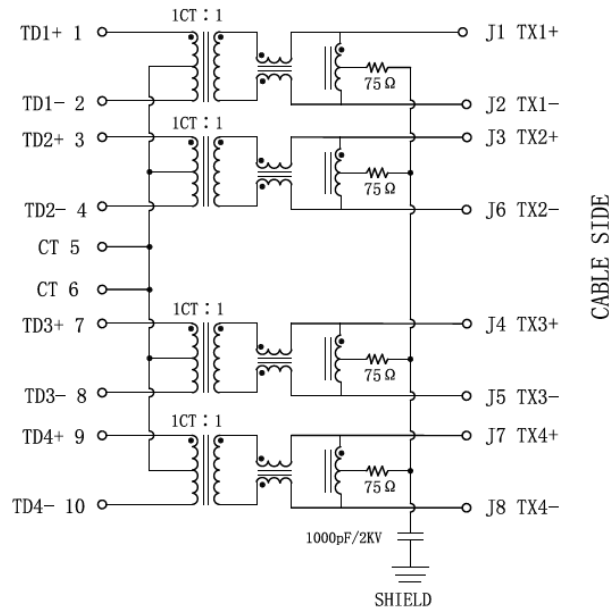
RoHS compliant

Rev.	Description	Date	Approved	Drawing	Name	Date
				Approved	Howard	08/30/10
				Checked	Lizzy	08/30/10
				Drawn	Tina	08/30/10
				0.0 ± 0.35	0.00 ± 0.20	Angles ± 3'
				UNIT: mm		

Central Components Manufacturing
 440 Lincoln Blvd., Middlesex, New Jersey 08846
 Phone 732 469-5720 888 288-5152 Fax 732 469-1919

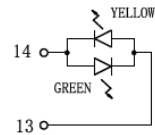
Part No.: **GCTJ-08-2-TMM27305LXX-8-PX-S6**

Description: shielded 2 port RJ45 with LEDs and 1000 base-T integrated magnetics



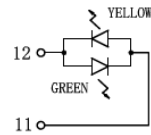
Electrical Specifications @25°C

1. Turns Ratios: 1CT : 1
2. OCL: 350uH MIN
@100KHz, 0.1V, 8mA DC Bias.
3. Insertion Loss:
1~100MHz:-1.0dB MAX
4. Return Loss:
1~30MHz:-18dB MIN. load 100 Ω
30~60MHz:-16dB MIN. load 100 Ω
60~80MHz:-12dB MIN. load 100 Ω
60~100MHz:-10dB MIN. load 100 Ω
5. Cross Talk:
1~100MHz:-30dB MIN
6. Common Mode Rejection:
1~100MHz:-30dB MIN
7. HiPot Test: 1500Vrms MIN
8. Operating Temperature: 0°C TO +70°C.



LEFT LED

LED POLARITY		COLOR
PIN 13	PIN 14	
+	-	YELLOW
-	+	GREEN



RIGHT LED

LED POLARITY		COLOR
PIN 11	PIN 12	
+	-	YELLOW
-	+	GREEN

RoHS Compliant

Rev.	Description	Date	Approved	Drawing	Name	Date
				Approved	Howard	08/30/10
				Checked	Lizzy	08/30/10
				Drawn	Tina	08/30/10
				0.0 ± 0.35	0.00 ± 0.20	Angles ± 3'
				 UNIT: mm		

Central Components Manufacturing
 440 Lincoln Blvd., Middlesex, New Jersey 08846
 Phone 732 469-5720 888 288-5152 Fax 732 469-1919

Part No.: **GCTJ-08-2-TMM27305LXX-8-PX-S6**

Description: shielded 2 port RJ45 with LEDs and 1000 base-T integrated magnetics