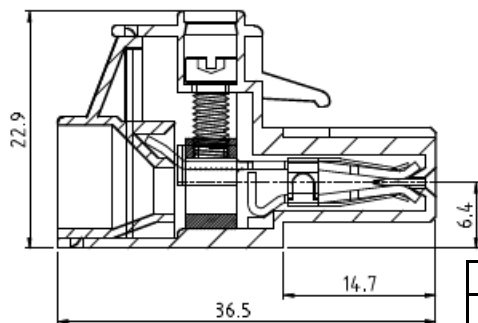


N=Number of contacts



SPECIFICATIONS

Voltage Rating: 300VAC
 Current Rating: 32A max
 Body: Polyamide, UL94V-0
 Wire Guard: Copper Alloy Tin Plated
 Contacts: Copper Alloy Nickel Plated
 Contact Plating: Tin
 Contact Resistance: 20mΩ max
 Screw: M33.5, Gal. Steel
 Torque: 8.0kgf/cm
 Withstanding: 2500VAC/1min
 Operating Temp: -40°C to +105°C
 Processing Temp: 250°C±10°C/5-sec max

Wire Range: 8-24AWG

Series	Type	Pitch	Positions	Color
CMTB	EGF77	762	XX	XX
Terminal block	See drawing	762=7.62mm	02-24	GN=Green (std) BK=Black GY=Gray BL=Blue

RoHS compliant

Rev.	Description	Date	Approved	Drawing	Name	Date
				Approved	Howard	06/20/12
				Checked	Lizzy	06/20/12
				Drawn	Tina	06/20/12
				0.0 ± 0.35	0.00 ± 0.20	Angles ± 3'
				UNIT: mm		

Central Components Manufacturing
 440 Lincoln Blvd., Middlesex, New Jersey 08846
 Phone 732 469-5720 888 288-5152 Fax 732 469-1919

Part No.: **CMTB-EGF77-762-XX-XX**

Description: Pluggable terminal block, top entry side screw plug