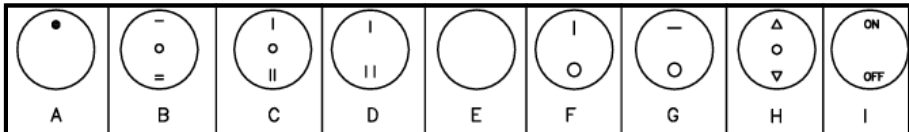
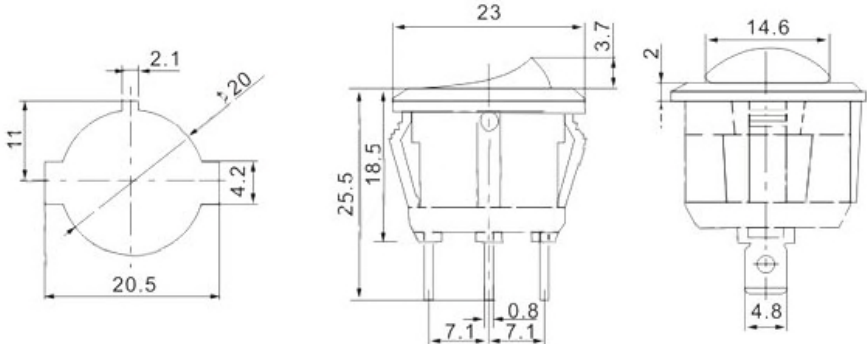


SPECIFICATIONS

Electrical Rating: 6A 250 VAC; 10A 125VAC
 Contact Resistance: 50 milliohms max
 Insulation Resistance: 100 megohm min
 Withstanding: 1500 VAC/5 sec/0.5mA
 Durability: 10,000 Cycles min



| Code | Color |
|------|--------|
| BK | Black |
| WT | White |
| RD | Red |
| GY | Gray |
| OR | Orange |
| BL | Blue |

| Series | Type | Version | Actuator | Terminals | Actuator Color | Housing Color |
|--------|--|---------|-----------------|---------------|-----------------|-----------------|
| SWT | RR11 | DR1035 | X | F | XX | XX |
| Switch | Round rocker switch, single pole ON-ON | See dwg | See Style Chart | F=Faston Type | See color chart | See color chart |

RoHS compliant

| Rev. | Description | Date | Approved | Drawing | Name | Date |
|------|-------------|------|----------|------------|-------------|-------------|
| | | | | Approved | Howard | 08/30/10 |
| | | | | Checked | Lizzy | 08/30/10 |
| | | | | Drawn | Tina | 08/30/10 |
| | | | | 0.0 ± 0.35 | 0.00 ± 0.20 | Angles ± 3' |
| | | | | UNIT: mm | | |

Central Components Manufacturing
 440 Lincoln Blvd., Middlesex, New Jersey 08846
 Phone 732 469-5720 888 288-5152 Fax 732 469-1919

Part No.: **SWK-RR11-DR1035-X-F-XXXX**

Description: Round rocker switch On-On