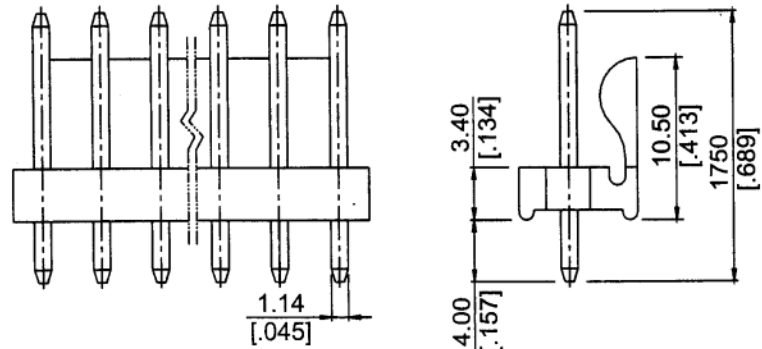
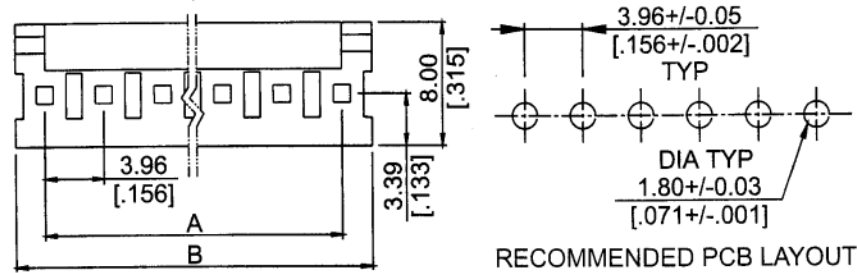


Dimensions in (mm)		
Item	A	B
2	0.156(03.96)	0.312(07.92)
3	0.312(07.92)	0.468(11.88)
4	0.468(11.88)	0.624(15.84)
5	0.624(15.84)	0.780(19.80)
6	0.780(19.80)	0.935(23.76)
7	0.935(23.76)	1.091(27.72)
8	1.091(27.72)	1.247(31.68)
9	1.247(31.68)	1.403(35.64)
10	1.403(35.64)	1.559(39.60)
11	1.559(39.60)	1.715(43.56)
12	1.715(43.56)	1.871(47.52)
13	1.871(47.52)	2.027(51.48)
14	2.027(51.48)	2.183(55.44)
15	2.183(55.44)	2.339(59.40)
16	2.339(59.40)	2.494(63.36)
17	2.494(63.36)	2.650(67.32)
18	2.650(67.32)	2.806(71.28)
19	2.806(71.28)	2.962(75.24)
20	2.962(75.24)	3.118(79.20)
21	3.118(79.20)	3.274(83.16)
22	3.274(83.16)	3.430(87.12)
23	3.430(87.12)	3.586(91.08)
24	3.586(91.08)	3.742(95.04)
25	3.742(95.04)	3.898(99.00)
26	3.898(99.00)	4.054(102.96)
27	4.054(102.96)	4.209(106.92)
28	4.209(106.92)	4.365(110.88)

SPECIFICATIONS

Electrical rating: UL: 4A 250V AC/DC
 CSA: 5A 125V AC/DC
 Insulator: Nylon, White UL 94V-2 or 94V-0
 Contacts: Brass, 1.14mm square pin
 Contact plating: Tin



Series	Positions	Mounting	Polarization	Plating	Options
PHD-C	XX	XX	XX	TN	X,X
Friction lock pin header	2-25	ST=Straight RA=Right angle	WP=Without polarizing lock PL=With polarizing lock	TN=Tin	None if Blank List Missing Pins V0=UL 94V-0

RoHS compliant

Rev.	Description	Date	Approved	Drawing	Name	Date
A	PNT	3/20/09	GFL	Approved	Howard	08/10/99
B	PNT, Dim	4/25/16	GFL	Checked	Lizzy	08/10/99
				Drawn	Tina	08/10/99
		0.0 ± 0.35	0.00 ± 0.20	Angles ± 3'		
				UNIT: mm		

Central Components Manufacturing
 440 Lincoln Blvd., Middlesex, New Jersey 08846
 Phone 732 469-5720 888 288-5152 Fax 732 469-1919

Part No.: **PHD-C-XX-ST-PL-TN-XX**

Description: Power header, .156" (3.96mm) pitch, type C