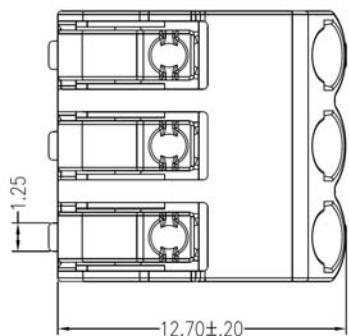
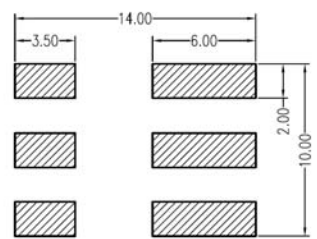
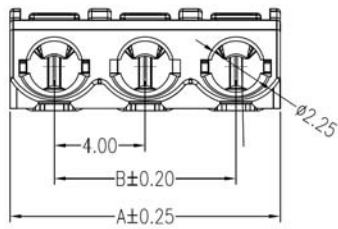
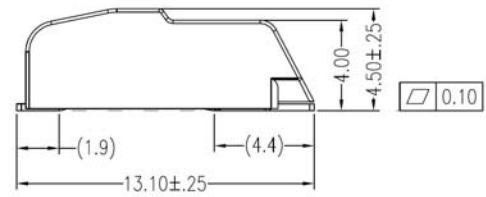


SPECIFICATIONS
 Rated Current: 3.0 ~ 9.0 Amp
 Contact Resistance: 20mΩ Max.
 Withstanding: 250V
 Insulation Resistance: 1000MΩ Min.
 Solid Wire Range: AWG #24 ~ #18
 Stranded Wire Range: AWG #22 ~ #20
 Contact Material: Phosphor Bronze
 Contact Plating: Sn over Ni
 Body Material: PA46 +15%GF
 Operating Temp: -40C to +105C

Recommended P.C.B Layout(Top Side)
(PCB BOARD TOLERANCE±0.05)



Dimensions		
Pins	A	B
1	3.95	/
2	7.90	4.00
3	11.90	8.00



RoHS compliant

Series	Style	Positions	Options
LE-TB	2241	XX	XX
LED Connector	2241 Style	01, 02, 03	TB=Tube TR=Tape & Reel

Rev.	Description	Date	Approved	Drawing	Name	Date
				Approved	Howard	03/29/15
				Checked	Lizzy	03/29/15
				Drawn	Tina	03/29/15
				0.0 ± 0.35	0.00 ± 0.20	Angles ± 3°
				UNIT: mm		

Central Components Manufacturing
 440 Lincoln Blvd., Middlesex, New Jersey 08846
 Phone 732 469-5720 888 288-5152 Fax 732 469-1919

Part No.: **LE-TB-2241-XX-XX**

Description: 4.0 Pitch LED Connectors H=4.5

