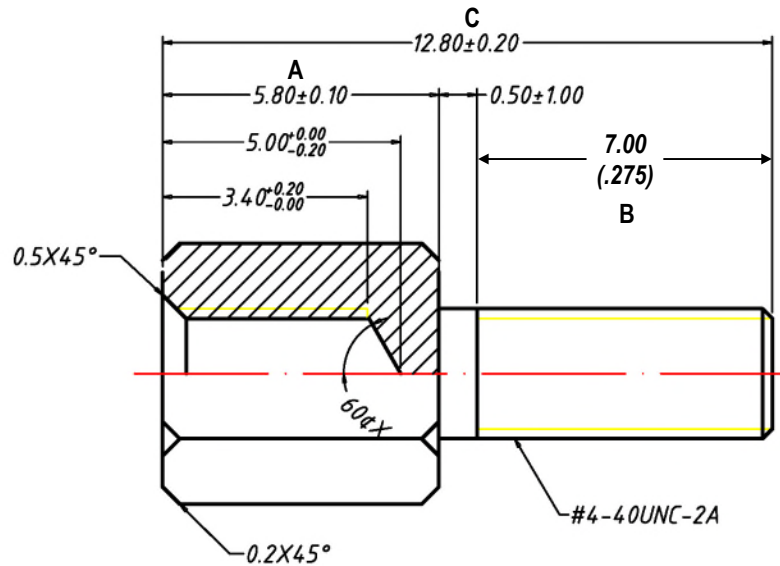



Dimensions mm(in)			
P/N	A	B	C
JKS-1	4.8 (0.189)	5.7 (0.224)	10.50 (0.413)
JKS-1A	4.8 (0.189)	5.2 (0.205)	10.0 (0.394)
JKS-2A	6.1 (0.240)	5.5 (0.217)	11.60 (0.457)
JKS-3	4.8 (0.189)	7.0 (0.276)	11.8 (0.465)
JKS-4	4.8 (0.189)	7.9 (0.311)	12.70 (0.500)
JKS-6	5.8 (0.228)	7.0 (0.276)	12.8 (0.504)



Nickel Plated Brass

RoHS compliant

Rev.	Description	Date	Approved	Drawing	Name	Date
				Approved	Howard	5/25/06
				Checked	Lizzy	5/25/06
				Drawn	Tina	5/25/06
				0.0 ± 0.35	0.00 ± 0.20	Angles $\pm 3'$
				UNIT: mm		



Central Components Manufacturing
440 Lincoln Blvd., Middlesex, New Jersey 08846
Phone 732 469-5720 888 288-5152 Fax 732 469-1919

Part No.: **JKS-6**

Description: Jack Screw 4.75x5.80x12.8