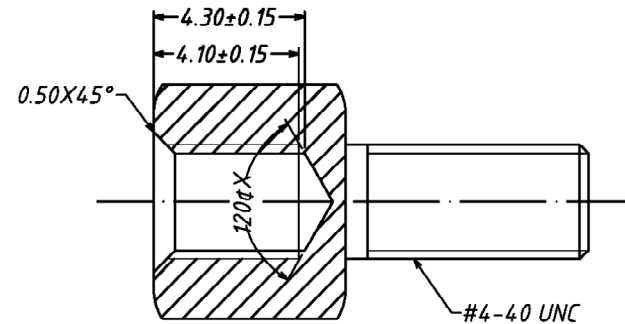


Brass Nickel Plated Brass



SECTION A — A

RoHS compliant

Rev.	Description	Date	Approved	Drawing	Name	Date
				Approved	Howard	05/09/14
				Checked	Lizzy	05/09/14
				Drawn	Tina	05/09/14
				0.0 ± 0.35	0.00 ± 0.20	Angles ± 3'
				UNIT: mm		


Central Components Manufacturing
 440 Lincoln Blvd., Middlesex, New Jersey 08846
 Phone 732 469-5720 888 288-5152 Fax 732 469-1919

Part No.: **JKS-(5.8/10.6)**

Description: Jack Screw A=5.8mm B=4.8mm C=10.6mm