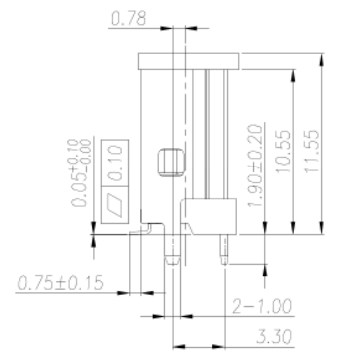
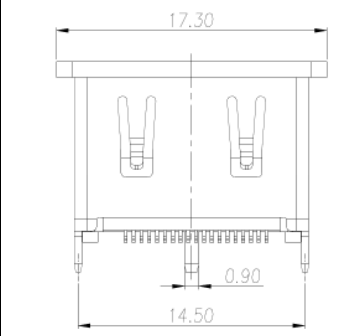


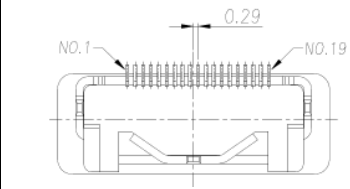
RECOMMENDED P.C.B. LAYOUT(T=1.60mm)  
TOLERANCES UNLESS OTHERWISE SPEC.±0.05

**SPECIFICATIONS**

- Voltage Rating: 40V
- Current Rating: 0.5A
- Contacts: Copper Alloy, T=0.20
- Contact Plating: selective Gold over Nickel
- Contact Resistance: 30 milliohms max
- Housing & Cover: LCP UL94-0, Black
- Insulator Resistance: 100 Megohms min
- Insert Force: 44.1N max
- Extraction Force: 9.8 TO 44.1N
- Durability: 1500 cycles



A  
A  
S  
F  
F  
T



**RoHS compliant**

Series	Type	Version	Insulator	Shell Material	Shell Plating	Contacts	Contact Plating	Package
HDMI	EDA-	1F19VST	L	X	X	X	SGX	XX
HDMI Connector (High Definition Multimedia In-terface)	See Drawing	Single Port Female 19 Contacts, vertical, SMT + Thru Hole	LCP	B=Brass S=Steel	N=Nickel G=Gold	B=Brass	SGXX=Selective Gold XX:1,3,5,15,30μ	Blank=Tray TR=Tape & reel

Rev.	Description	Date	Approved	Drawing	Name	Date
				Approved	Howard	02/10/14
				Checked	Lizzy	02/10/14
				Drawn	Tina	02/10/14
				0.0 ± 0.35	0.00 ± 0.20	Angles ± 3'
				UNIT: mm		

**Central Components Manufacturing**  
440 Lincoln Blvd., Middlesex, New Jersey 08846  
Phone 732 469-5720 888 288-5152 Fax 732 469-1919

Part No.: **HDMI-EDA-1F19VST-L-XX-XX-SGX**

Description: HDMI type A female vertical through hole

