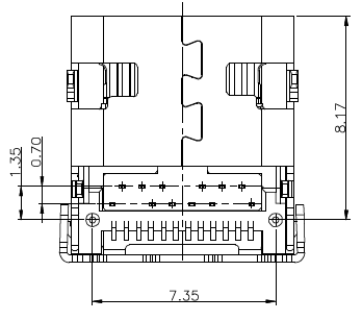
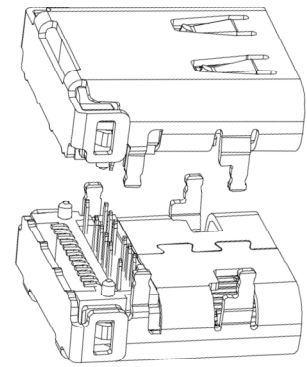
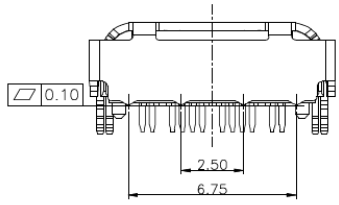
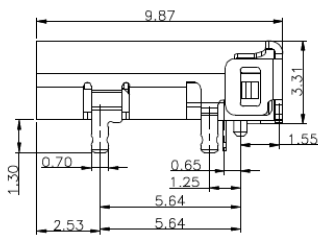
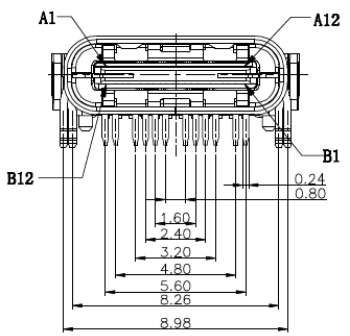
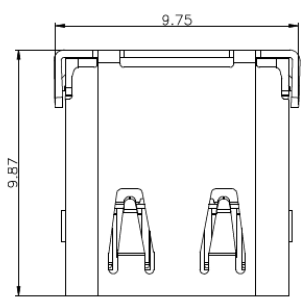


SPECIFICATIONS

Current Rating:	5A max
Housing:	Hi Temp Black
Contacts:	Copper Alloy
Shell:	Stainless Steel, Nickel plated
Spring:	Stainless Steel
Cover:	Stainless Steel
Contact Resistance:	40 milliohm max
Insulation Resistance:	100 Megohms min
Mate Force:	5-20N
Extract Force:	8-20N
Durability:	10,000 Cycles
Operating Temp:	-40°C to +85°C



RoHS Compliant

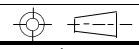
Series	Type	Style	Version	Shell	Shell Plating	Contacts	Contact Plating	Color	Package
CUSB	C	EMB3	1F24RST	S	N		SGXX	BK	R
USB Connector	Type C	See Drawing	Single Port Female, 24 Contacts, Side Entry SMT & Through Hole	S= St.Steel	N=Nickel (std)	B=Brass	GXX=Gold XX=Flash if blank, 5, 10, 15, 30µ"	BK=Black	R=Tape & Reel

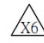
Rev.	Description	Date	Approved	Drawing	Name	Date
				Approved	Howard	06/30/14
				Checked	Lizzy	06/30/14
				Drawn	Tina	06/30/14
				0.0 ± 0.35	0.00 ± 0.20	Angles ± 3'
				UNIT: mm		

Central Components Manufacturing
 440 Lincoln Blvd., Middlesex, New Jersey 08846
 Phone 732 469-5720 888 288-5152 Fax 732 469-1919

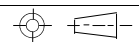
Part No.: **CUSB-C-EMB3-1F24RST-BGXX-BKR**


Description: USB type C female shielded, SMT and through hole



 USB TYPE -C Pin Assignments

Pin Number	Signal Name	Pin Number	Signal Name
A1	GND	B12	GND
A2	SSTXp1	B11	SSTXp1
A3	SSTXn1	B10	SSTXn1
A4	V _{BUS}	B9	V _{BUS}
A5	CC1	B8	SBU2
A6	Dp1	B7	Dn2
A7	Dn1	B6	Dp2
A8	SBU1	B5	CC2
A9	V _{BUS}	B4	V _{BUS}
A10	SSTXn2	B3	SSTXn2
A11	SSTXp2	B2	SSTXp2
A12	GND	B1	GND

Rev.	Description	Date	Approved	Drawing	Name	Date
				Approved	Howard	06/30/14
				Checked	Lizzy	06/30/14
				Drawn	Tina	06/30/14
				0.0 ± 0.35	0.00 ± 0.20	Angles ± 3'
					UNIT: mm	



Central Components Manufacturing
440 Lincoln Blvd., Middlesex, New Jersey 08846
Phone 732 469-5720 888 288-5152 Fax 732 469-1919

Part No.: **CUSB-C-EMB3-1F24RST-BGXX-BKR**

Description: USB type C female shielded, SMT and through hole