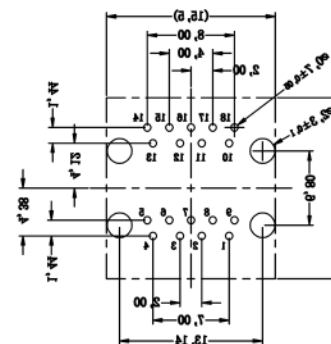
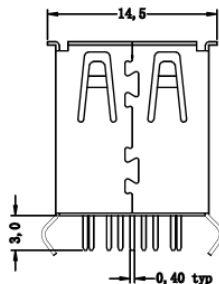


SPECIFICATIONS

Current Rating: 1A
 Housing: PBT + 30% GF
 Contacts: Copper Alloy
 Shell: Steel Nickel Plated
 Contact Res: 30 milliohm max
 Insulation Res: 1000 Megohms min
 Withstanding: 500VAC
 Mate Force: 3.57Kg max
 Extract Force: 1.02Kg min
 Operating Temp: -55°C to +85°C

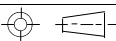



PCB LAYOUT (TOP VIEW)



Series	Type	Style	Version	Housing	Shell	Shell Plating	Contacts	Contact Plating	Color
CUSB	A3	EMAFD	2F18VT	P	S	N	B	SGXX	XX
USB Connector	Type A 3.0	See Drawing	Two Port Female 18 Contacts, Vertical Entry Through Hole	P=PBT	S=Steel	N=Nickel (std)	B=Brass	GDXX=Selective Gold XX=Flash 3, 5, 15, 30u"	BK=Black WT=White BL=Blue

RoHS compliant

Rev.	Description	Date	Approved	Drawing	Name	Date
				Approved	Howard	07/11/14
				Checked	Lizzy	07/11/14
				Drawn	Tina	07/11/14
				0.0 ± 0.35	0.00 ± 0.20	Angles ± 3'
				 UNIT: mm		


Central Components Manufacturing
 440 Lincoln Blvd., Middlesex, New Jersey 08846
 Phone 732 469-5720 888 288-5152 Fax 732 469-1919

Part No.: **CUSB-A3-EMAFD-2F18VT-P-SN-BGDXX-XX**

Description: Vertical dual port USB type A 3.0 female shielded through hole