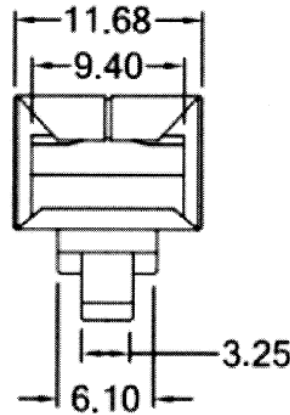
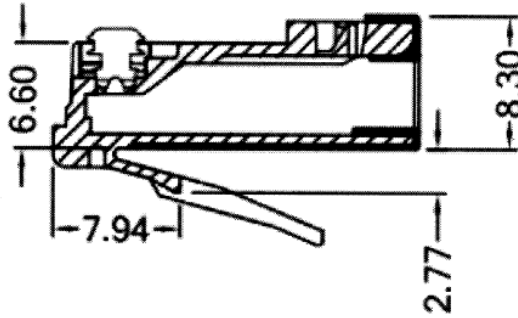


SPECIFICATIONS

| | |
|-------------------------|---------------------------|
| Voltage Rating: | 125 VAC |
| Current Rating: | 1.5A |
| Housing: | PC, UL94V-2 |
| Insulation Resistance: | 500 Megohms |
| Insert: | PC, UL94V-2 |
| Contacts: | Copper Alloy, Gold Plated |
| Termination Resistance: | 35 milliohms min. |
| Shield: | Copper Plated Nickel |
| Withstanding: | 1000 VAC |
| Durability: | 750 cycles |
| Operating Temp: | -40°C to +85°C |



A: 2 prong for stranded wire.

V: 2 prong for stranded or solid wire.

H: 3 prong for stranded or solid wire.

| Series | Positions | Contacts | Type | Plating | Options |
|--------------------|----------------|--------------|---|---|--|
| CTP | 0X | X | 100LBSG | XX | XX |
| Modular Phone Plug | 08=8 Positions | 8=8 Contacts | See drawing. Shielded with Wire Guide | P0=6u" Gold P1=15u" Gold P2=30u" Gold P3=50u" Gold | STX=Stranded Wire SWX=Solid Wire X: A, V or H Prong MS=Metal Shield |

RoHS compliant

| Rev. | Description | Date | Approved | Drawing | Name | Date |
|------|-------------|------|----------|------------|-------------|-------------|
| | | | | Approved | Howard | 10/02/14 |
| | | | | Checked | Lizzy | 10/02/14 |
| | | | | Drawn | Tina | 10/02/14 |
| | | | | 0.0 ± 0.35 | 0.00 ± 0.20 | Angles ± 3' |
| | | | | UNIT: mm | | |

Central Components Manufacturing
 440 Lincoln Blvd., Middlesex, New Jersey 08846
 Phone 732 469-5720 888 288-5152 Fax 732 469-1919

Part No.: **CTP-08-8-100LBSG-PX-XXX-MS**

Description: Modular plug, long body, shielded with wire guide