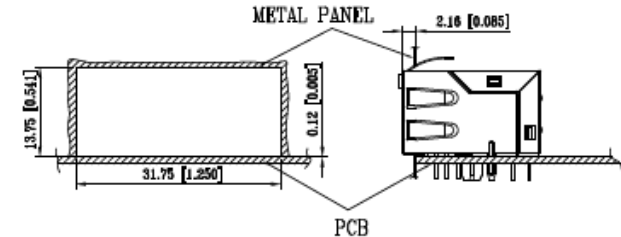
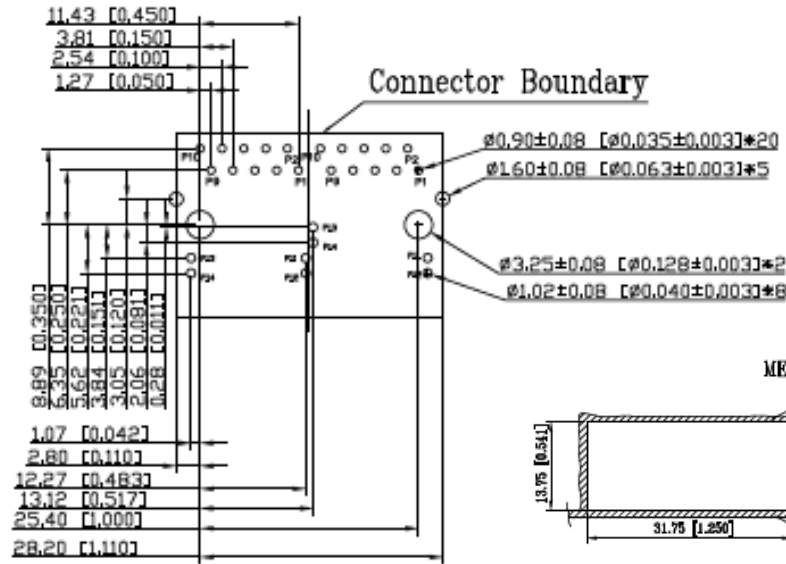
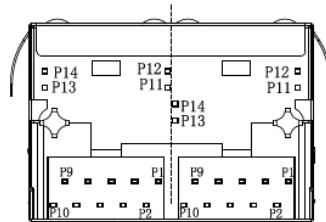


SPECIFICATIONS

Housing: Thermoplastic UL 94V-0 Black
 Shield: Brass, Nickel Plated
 Contacts: Phos Bronze Gold Plated
 Operating Temp: 0°C to + 70°C
 Processing Temp: 260°C/10 Sec max
 Storage Temp: -40°C to +85°C



Dimensions		
Item	mm	Inch
A	31.00	1.220
B	13.50	0.530
C	21.50	0.846
D	3.50	0.138

Recommended Layout (Component Side) and Panel Opening

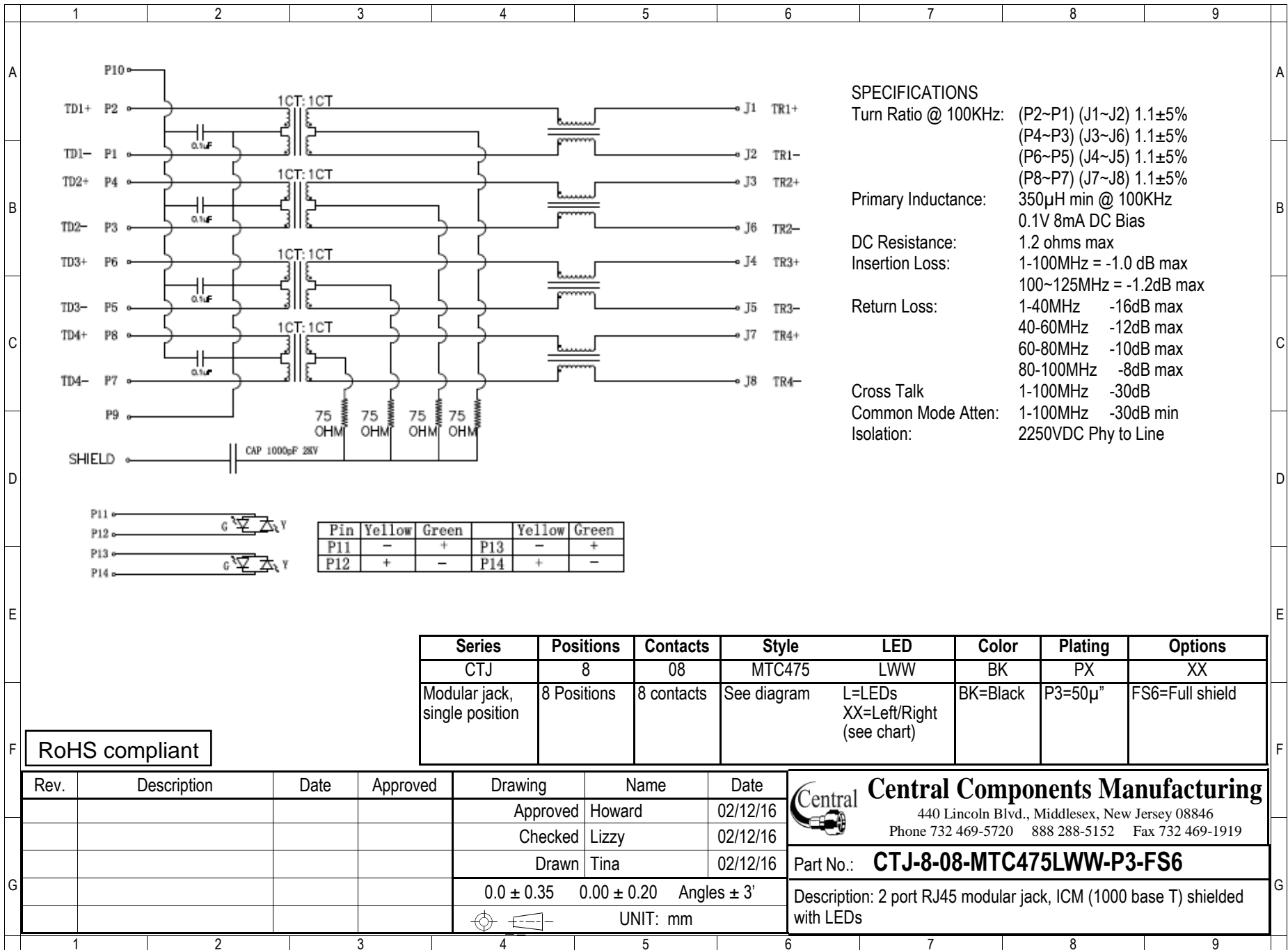
RoHS compliant

Rev.	Description	Date	Approved	Drawing	Name	Date
				Approved	Howard	02/12/16
				Checked	Lizzy	02/12/16
				Drawn	Tina	02/12/16
				0.0 ± 0.35	0.00 ± 0.20	Angles ± 3'
				UNIT: mm		

Central Components Manufacturing
 440 Lincoln Blvd., Middlesex, New Jersey 08846
 Phone 732 469-5720 888 288-5152 Fax 732 469-1919

Part No.: **CTJ-8-08-MTC475LWW-P3-FS6**

Description: 2 port RJ45 modular jack, ICM (1000 base T) shielded with LEDs



Series	Positions	Contacts	Style	LED	Color	Plating	Options
CTJ	8	08	MTC475	LWW	BK	PX	XX
Modular jack, single position	8 Positions	8 contacts	See diagram	L=LEDs XX=Left/Right (see chart)	BK=Black	P3=50µ"	FS6=Full shield

RoHS compliant

Rev.	Description	Date	Approved	Drawing	Name	Date
				Approved	Howard	02/12/16
				Checked	Lizzy	02/12/16
				Drawn	Tina	02/12/16
				0.0 ± 0.35	0.00 ± 0.20	Angles ± 3'
				UNIT: mm		

Central Components Manufacturing
440 Lincoln Blvd., Middlesex, New Jersey 08846
Phone 732 469-5720 888 288-5152 Fax 732 469-1919

Part No.: **CTJ-8-08-MTC475LWW-P3-FS6**

Description: 2 port RJ45 modular jack, ICM (1000 base T) shielded with LEDs