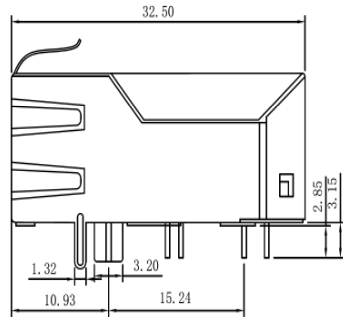


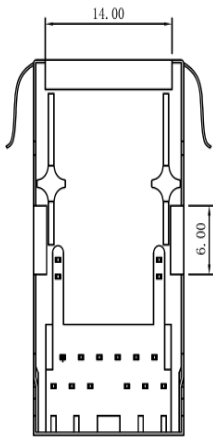
Front Side View



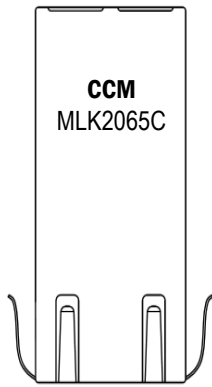
Left Side View

SPECIFICATIONS

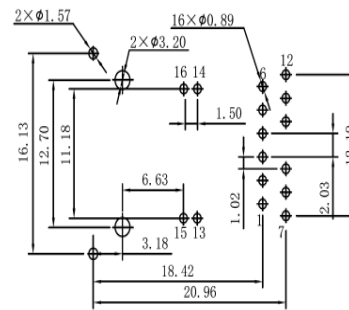
Housing: PBT + 30% GF UL 94V-0
 Contacts: Phos. Bronze C5210R-EH, Thickness=0.35mm
 Contact Plating: Gold 6µ" min in contact area
 Pins: Brass C2680R-H, Thickness=0.35mm
 Shield: Copper Alloy H65Y, Thickness=0.2mm
 Processing Temp: 265C/5 sec. max



Bottom Side View



Top Side View



Suggested PCB Layout (Top View)

Meets IEEE 802.3 specification
 Supports SOHO (ADSL modems), LOM
 (Lan on Motherboard), hubs and switches

Series	Positions	Contacts	Body Style	Color	Plating	Shield
CTJ	8	08	MLK2065C	BK	PX	FS6
Modular jack, single position	8P	8C	See diagram	BK=Black	P0=6µ" P1=15µ" P2=30µ" P3=50µ"	Full shield w/top and side panel grounds

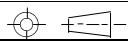
RoHS compliant

Rev.	Description	Date	Approved	Drawing	Name	Date
				Approved	Howard	12/26/13
				Checked	Lizzy	12/26/13
				Drawn	Tina	12/26/13
				0.0 ± 0.35	0.00 ± 0.20	Angles ± 3'
				UNIT: mm		

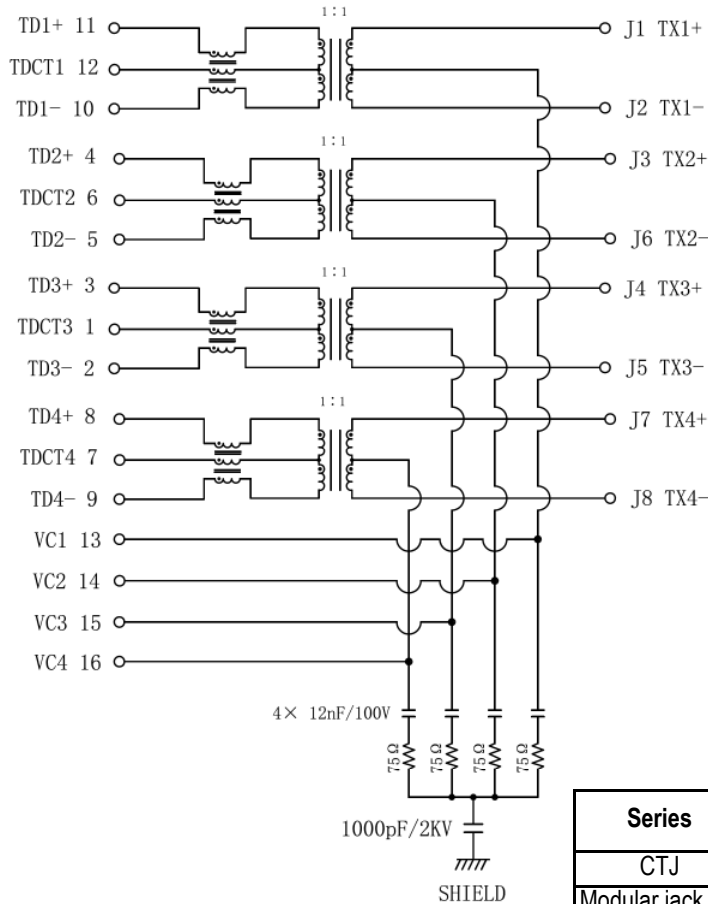
Central Components Manufacturing
 440 Lincoln Blvd., Middlesex, New Jersey 08846
 Phone 732 469-5720 888 288-5152 Fax 732 469-1919

Part No.: **CTJ-8-08-MLK2065C-BK-PX-FS6**

Description: RJ45 connector with 1000 Base-T integrated magnetics for PoE+ applications



PC BOARD CONNECTIONS



RJ45 CONNECTOR

SPECIFICATIONS

- Electrical Specifications @25°C
1. Inductance: 350uH Min @ 100KHz, 0.1V, 8mA DC BIAS
 2. Turns Ratio(±2%): Pri : Sec = 1CT : 1CT
 3. Insertion Loss(dB Max):
 0.1-1MHz:-1.1 1-65MHz:-0.5
 65-100MHz:-0.8 100-125MHz:-1.2
 4. Return Loss(dB Min):
 0.5-40MHz:-18
 40-100MHz:-12+20LOG(f/80MHz)
 5. Crosstalk:
 0.1-100MHz:-33+20LOG(f/100MHz)dB Min
 6. CM TO CM REJ:
 0.1-100MHz:-30dB Min
 7. CM TO DM REJ:
 0.1-100MHz:-35dB Min
 8. Hipot: 1500Vrms Min @60Hz
 9. Designed to handle 600mADC and meet 802.3at.
 10. Operating Temperature: 0°C~70°C.

Series	Positions	Contacts	Body Style	Color	Plating	Shield
CTJ	8	08	MLK2065C	BK	PX	FS6
Modular jack, single position	8P	8C	See diagram	BK=Black	P0=6µ" P1=15µ" P2=30µ" P3=50µ"	Full shield w/top and side panel grounds

RoHS compliant

Rev.	Description	Date	Approved	Drawing	Name	Date
				Approved	Howard	12/26/13
				Checked	Lizzy	12/26/13
				Drawn	Tina	12/26/13
				0.0 ± 0.35	0.00 ± 0.20	Angles ± 3'
				UNIT: mm		

Central Components Manufacturing
 440 Lincoln Blvd., Middlesex, New Jersey 08846
 Phone 732 469-5720 888 288-5152 Fax 732 469-1919

Part No.: **CTJ-8-08-MLK2065C-BK-PX-FS6**

Description: RJ45 connector with 1000 Base-T integrated magnetics for PoE+ applications