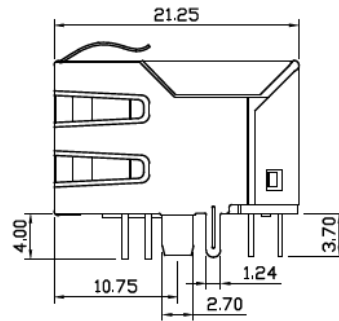


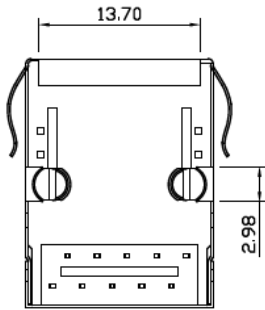
Front Side View



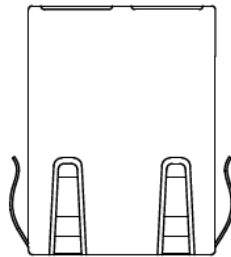
Left Side View

SPECIFICATIONS

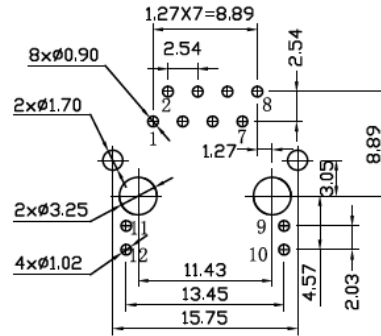
Housing: PBT + 30% GF, UL 94-0
 Contacts: Phosphor Bronze C5210R-EH, t=0.35mm
 Contact Plating: Gold
 Pins: Brass C2680R-H, t=0.35mm
 Shield: Brass H65Y, t=0.20mm
 Processing Temp: 265C /5 sec.max



Bottom Side View



Top Side View



Suggested PCB Layout (Top View)

LED Color Codes	
Code	LED
R	Red
G	Green
Y	Yellow
O	Orange
A	Amber
D	Red/Green
E	Red/Yellow
W	Yellow/Green
P	Orange/Green
K	Blank

Panel Grounds (X)	
Blank	None
1,2	Top
4	Sides
6	Both

Series	Positions	Contacts	Body Style	LED	Color	Plating	Options
CTJ	X	XX	LM6264	LXX	BK	PX	XX
Modular jack, single position	4-10	2-10	Mag jack type 6264 See drawing	L=LEDs XX=Left/Right (see chart)	BK=Black	P0=6µ" P1=15µ" P2=30µ" P3=50µ"	Blank=None FSX=Full shield (see chart)

RoHS Compliant

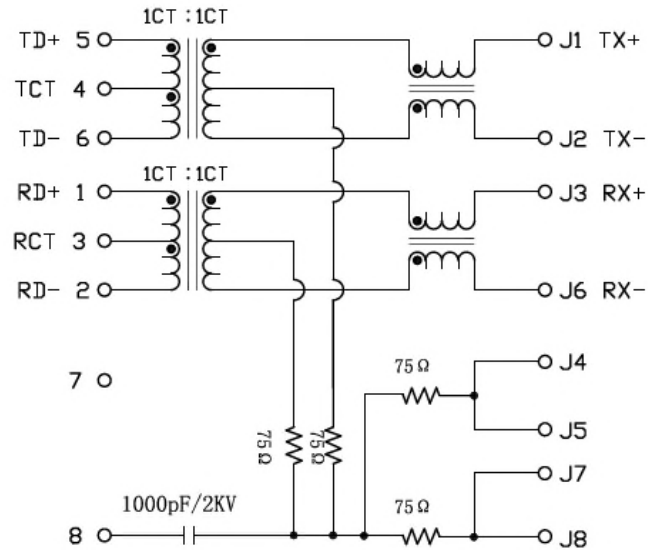
Rev.	Description	Date	Approved	Drawing	Name	Date
				Approved	Howard	03/05/11
				Checked	Lizzy	03/05/11
				Drawn	Tina	03/05/11
				0.0 ± 0.35	0.00 ± 0.20	Angles ± 3'
				UNIT: mm		

Central Components Manufacturing
 440 Lincoln Blvd., Middlesex, New Jersey 08846
 Phone 732 469-5720 888 288-5152 Fax 732 469-1919

Part No.: **CTJ-8-08-LM6264LGY-BK-PX-FS6**

Description: RJ45 connector with LEDs and 10/100 Base-T integrated magnetics

PC BOARD CONNECTIONS



RJ45 CONNECTOR

Electrical Specifications @25°C

1. Turns Ratio ($\pm 2\%$) :
TX=1CT:1CT RX=1CT:1CT
2. Primary Inductance (P1-P2, P5-P6): 350uH Min @100KHz, 0.1Vrms, 8mA DC bias
3. Insertion Loss:
0.5-100MHz: -1.1dB Max
4. Return Loss (dB Min):
0.5-30MHz: -18;
30.1-60MHz: -18-20LOG(f/30)
60.1-80MHz: -12
5. Crosstalk (dB Min):
0.5-40MHz: -35
40.1-100MHz: -33-20LOG(f/50)
6. Common Mode Rejection Ratio:
0.5-100MHz: -30dB Min
7. Hipot Test: 1500Vrms
8. Operating Temperature: 0°C~70°C.



Emitting Color	λ p(nm)	VF@IF=20mA	IR @VR=5V
Green	570	1.8~2.6V	10 μ A max
Yellow	585	1.8~2.6V	10 μ A max

Rev.	Description	Date	Approved	Drawing	Name	Date
				Approved	Howard	03/05/11
				Checked	Lizzy	03/05/11
				Drawn	Tina	03/05/11
				0.0 \pm 0.35	0.00 \pm 0.20	Angles \pm 3'
						UNIT: mm

Central Components Manufacturing

440 Lincoln Blvd., Middlesex, New Jersey 08846
Phone 732 469-5720 888 288-5152 Fax 732 469-1919

Part No.: **CTJ-8-08-LM6264LGY-BK-PX-FS6**

Description: RJ45 connector with LEDs and 10/100 Base-T integrated magnetics

