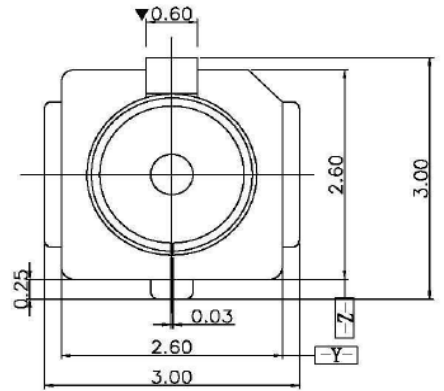
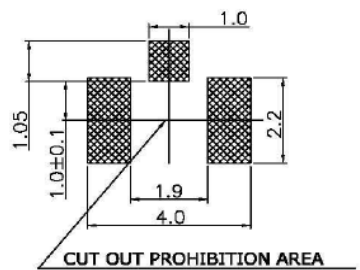
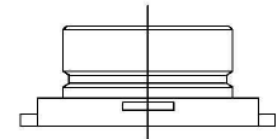
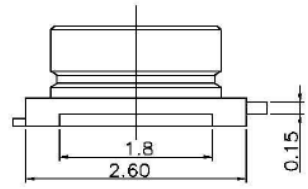
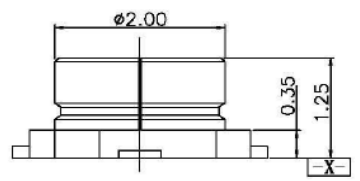
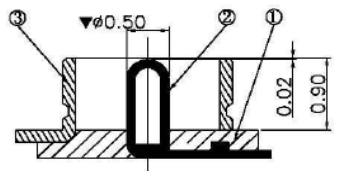


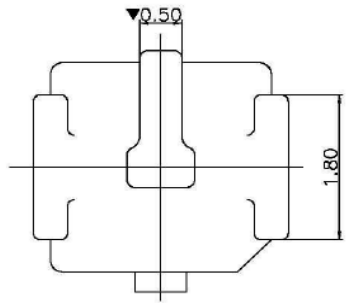
RECOMMENDED PCB LAYOUT



SPECIFICATIONS
 Contact Resistance: Center-20milliohms max
 Outer-10milliohms max
 Contact Finish: 5μ" Selective gold 5μ"
 Insulation Resistance: 500 megohms min
 Retention Force: 0.4 N min
 Withstanding: 200VAC/1 min
 Durability: 30 cycles
 Humidity: 96 HRS @ 40c 95% humidity



RECOMMENDED P.C.B PATTERN



Item	Name	Material	Finish
1	Overmold housing	LCP	Ivory UL 94V-0
2	Center Contact	Copper Alloy	Gold
3	Metal Shell		Gold

RoHS compliant

Rev.	Description	Date	Approved	Drawing	Name	Date
				Approved	Howard	03/10/04
				Checked	Lizzy	03/10/04
				Drawn	Tina	03/10/04
				0.0 ± 0.35	0.00 ± 0.20	Angles ± 3'
				UNIT: mm		

Central Components Manufacturing
 440 Lincoln Blvd., Middlesex, New Jersey 08846
 Phone 732 469-5720 888 288-5152 Fax 732 469-1919

Part No.: **CRF-USC-0472-G-RL**

Description: Ultra small surface mount coaxial connector (U.FL)