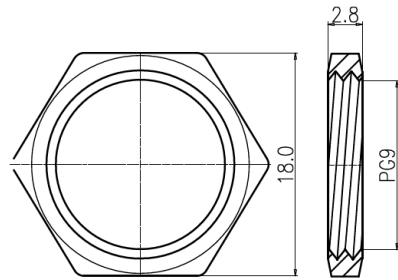
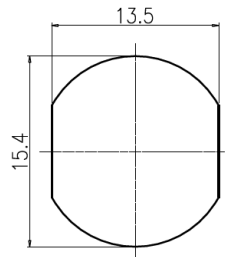


SPECIFICATIONS

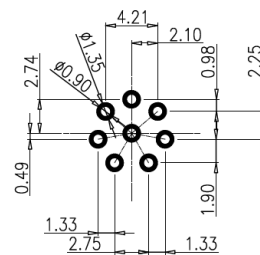
Current Rating: 5A
 Voltage Rating: 125V
 Contacts: Brass, plated 10µ" Gold over Nickel
 Housing: PBT UL94V-0, black
 Nut: Brass nickel plated
 Shell: Brass nickel plated
 O-Ring: EPDM
 Water proof: IPX7
 Operating Temp: -40°C to +85°C



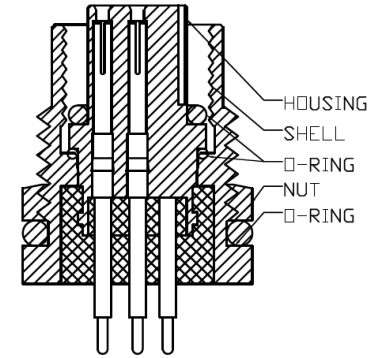
Nut



Panel Cut Out



PCB Layout



RoHS compliant

Series	Type	Version	Pins	Plating
CRF	M12	TK2001F	08	GD10
Circular Connector	Type=M12	See drawing	08=8 positions	GD=Gold Plating 10=10u"

Rev.	Description	Date	Approved	Drawing	Name	Date
				Approved	Howard	11/20/14
				Checked	Lizzy	11/20/14
				Drawn	Tina	11/20/14
				0.0 ± 0.35	0.00 ± 0.20	Angles ± 3'
				UNIT: mm		

Central Components Manufacturing
 440 Lincoln Blvd., Middlesex, New Jersey 08846
 Phone 732 469-5720 888 288-5152 Fax 732 469-1919

Part No.: **CRF-M12-TK2001F-08-GD10**

Description: female rear mounting M12 connector, 8 positions