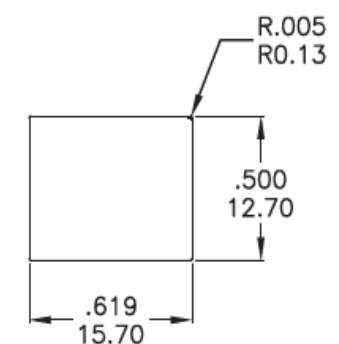
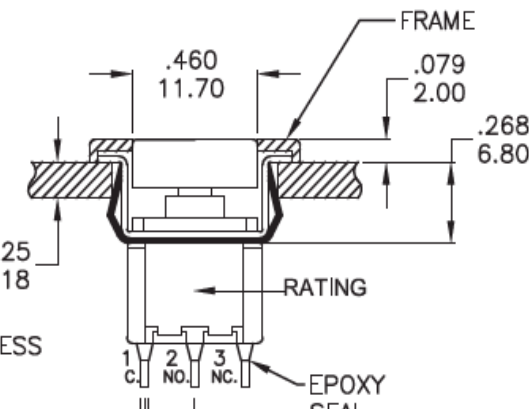
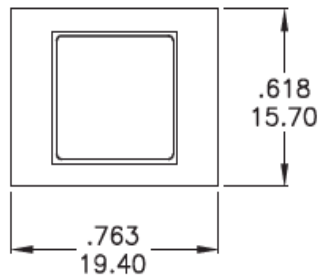
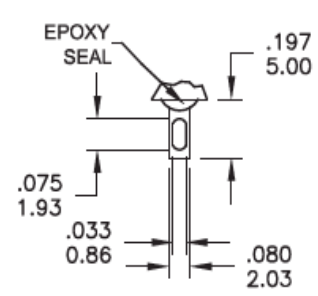


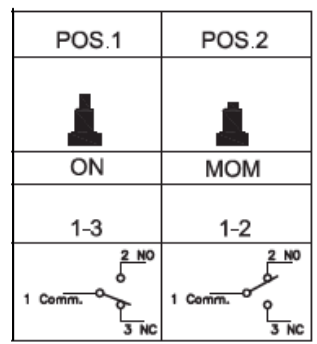
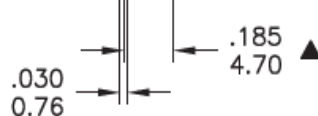
RoHS Compliant



Panel Cutout



Solder Lug



Schematic and Function

SPECIFICATIONS

Electrical Rating: 0.4 VA Max. @20VAC/DC max.
 1A @ 250VAC, 53A @120VAC or 28 VDC
 Contact Resistance: 10mΩ @ 2-4VDC 100mA max
 Insulation Resistance: 1,000MΩ min.
 Withstanding: 1000 V RMS@sea level
 Durability: 40,000 cycles
 Operating Temp: -30C to +85C

MATERIALS

Case: Dially phthalate (DAP) UL 94V-0
 Plunger: Nylon or Polyester + GF
 Bushing: Brass, Nickel Plated
 Housing: Stainless Steel
 Terminal (X): Silver (S) or Gold (G) Plated

Rev.	Description	Date	Approved	Drawing	Name	Date
				Approved	Howard	07/04/07
				Checked	Lizzy	07/04/07
				Drawn	Tina	07/04/07
				0.0 ± 0.35	0.00 ± 0.20	Angles ± 3'
				UNIT: mm		

Central Components Manufacturing
 440 Lincoln Blvd., Middlesex, New Jersey 08846
 Phone 732 469-5720 888 288-5152 Fax 732 469-1919

Part No.: **SWT-PS-12-B4-KK-T1-X-E**

Description: Snap action push button switch