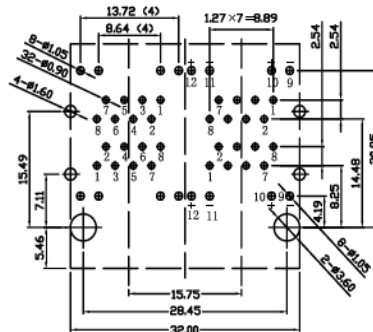
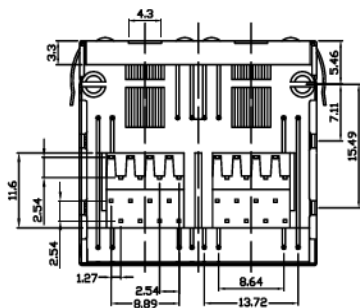


SPECIFICATIONS

Current Rating: 1.5A
 Voltage Rating: 125VAC RMS
 Contacts: Phos Bronze, t=0.35mm
 Contact Plating: Selective Gold
 Contact Resistance: 50mΩ max
 Housing: Polyester + GF, UL 94V-0
 Insulation Resistance: 1000MΩ/500VDC min
 Withstanding: 1000VAC RMS/1-min
 Durability: 750 Cycles
 Retention, PCB Pre Solder: 1.0 lb min
 Retention, PCB Post Solder: 10 lb min
 Operating & Storage Temp: -40°C to +85°C

LED Color Codes	
Code	LED
R	Red
G	Green
Y	Yellow
O	Orange
A	Amber
D	Red/Green
E	Red/Yellow
W	Yellow/Green
P	Orange/Green
K	Blank

Panel Grounds (X)	
Blank	None
1,2	Top
4	Sides
3,6	Both



Series	Positions	Ports	Style	Contacts	Color	Plating	Options
SGCTJ	08	X	L107	X	BK	PX	XX
Stacked ganged modular jack	8	2-10	See Drawing	4, 6, 8	Black	P0=6μ" P1=15μ" P2=30μ" P3=50μ"	[blank]=None SX=Full; Shield (see chart)

RoHS compliant

Rev.	Description	Date	Approved	Drawing	Name	Date
				Approved	Howard	12/16/11
				Checked	Lizzy	12/16/11
				Drawn	Tina	12/16/11
				0.0 ± 0.35	0.00 ± 0.20	Angles ± 3'
				UNIT: mm		

Central Components Manufacturing
 440 Lincoln Blvd., Middlesex, New Jersey 08846
 Phone 732 469-5720 888 288-5152 Fax 732 469-1919

Part No.: **SGCTJ-08-4-1107-8-BK-PX-S3**

Description: Ganged stacked modular jack

