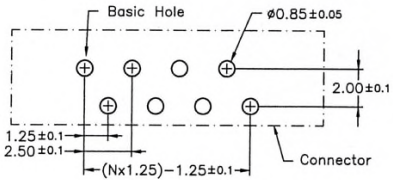


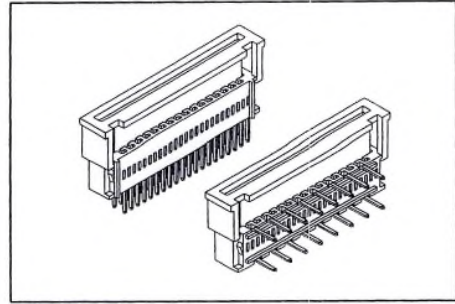
FFC/FPC Dimension
Thickness 0.3 ± 0.05mm

PCB Layout



SPECIFICATIONS

- Contact Rating: 1A max
- Voltage Rating: 125V max
- Contact Resistance: 20 milli ohm max.
- Housing: PBT
- Insulation Resistance: 1000 meg ohm min.
- Withstanding: 500V AC/1-min. 10mA
- Durability: 100 cycles with contact resistance of 30 milli ohm max.
- Retention Force: 3-10 pin: 0.05 x pin + 0.15Kg min
11-40 pin: 0.05 x pin + 0.40Kg min.
- Heat Deflection: 208°C Operating Temp: -55°C to +105°C
- Processing temp: 200°C 90-120 sec
245°C 3-5 sec



RoHS compliant

Series	Style	Position	Type
CZF	A	XX	XX
FPC/FFC Connector	1.25mm pitch	03-40	VT=Vertical (top entry) RA=Right Angle(side entry)

Rev.	Description	Date	Approved	Drawing	Name	Date
A	PN, PNT	8/20/08	Greg	Approved	Howard	08/10/99
B	DWG	09/26/12	Greg	Checked	Lizzy	08/10/99
				Drawn	Tina	08/10/99
				0.0 ± 0.35	0.00 ± 0.20	Angles ± 3'
				UNIT: mm		



Central Components Manufacturing

440 Lincoln Blvd., Middlesex, New Jersey 08846
Phone 732 469-5720 888 288-5152 Fax 732 469-1919

Part No.: **CZF-A-XX-VT**

Description: FPC Connector

