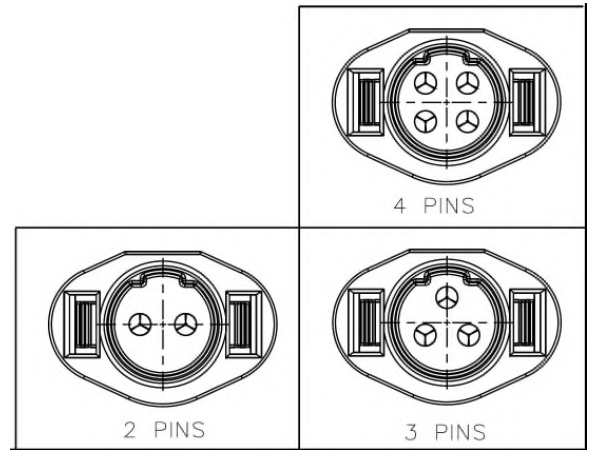
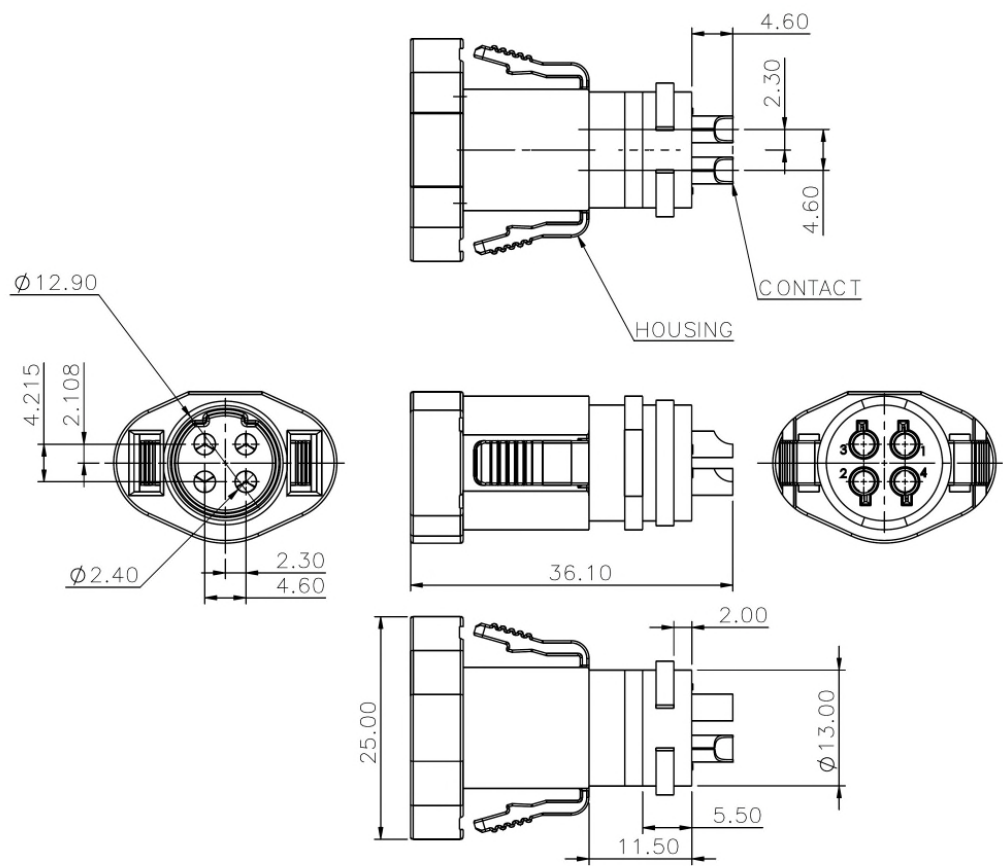


SPECIFICATIONS

Current Rating: 20A AC/DC
 Voltage Rating: 600V AC/DC
 Housing Material: Plastic, UL94V-0, Black
 Contact Material: Copper Alloy
 Contact Plating: Gold on Contact over Nickel
 Contact Resistance: 10mohm Max.
 Insulation Resistance: 1000M ohm Min.
 Withstanding: 500V AC/minute
 Ingress Protection: IP67
 Temperature Range: -40°C ~ +105°C



RoHS compliant

Rev.	Description	Date	Approved	Drawing	Name	Date
				Approved	Howard	05/11/12
				Checked	Lizzy	05/11/12
				Drawn	Tina	05/11/12
				0.0 ± 0.35	0.00 ± 0.20	Angles ± 3°
				UNIT: mm		

Central Components Manufacturing
 440 Lincoln Blvd., Middlesex, New Jersey 08846
 Phone 732 469-5720 888 288-5152 Fax 732 469-1919

Part No.: **CWP-110K2-XX**

Description: Male 2~4P Snap in Waterproof Connector Type 110K2