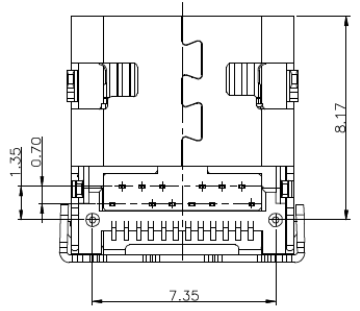
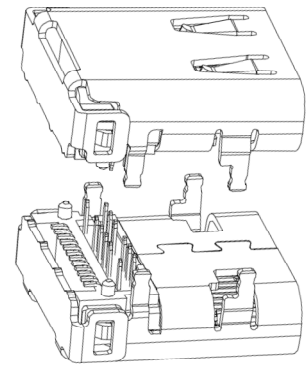
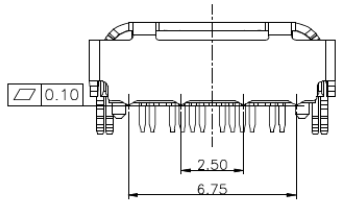
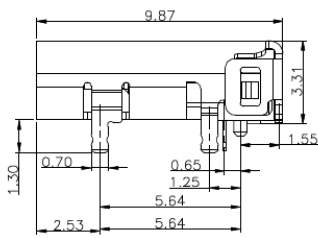
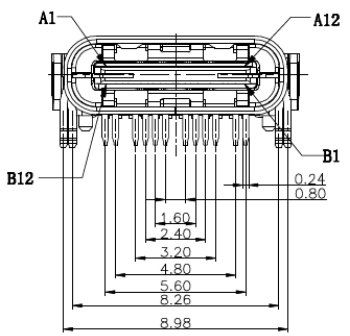
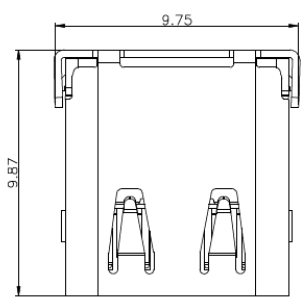


**SPECIFICATIONS**

- Current Rating: 5A max
- Contacts: Copper Alloy
- Contact Resistance: 40 milliohm max
- Housing: Hi Temp Black
- Insulation Resistance: 100 Megohms min
- Shell: Stainless Steel, Nickel plated
- Spring: Stainless Steel
- Cover: Stainless Steel
- Mate Force: 5-20N
- Extract Force: 8-20N
- Durability: 10,000 Cycles
- Operating Temp: -30°C to +85°C



**RoHS Compliant**

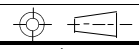
| Series        | Type   | Style       | Version  | Shell        | Shell Plating  | Contacts | Contact Plating                                | Color    | Package       |
|---------------|--------|-------------|--|--------------|----------------|----------|--|----------|---------------|
| CUSB          | C      | EMB3        | 1F24RST  | S            | N              | B        | GXX  | BK       | R             |
| USB Connector | Type C | See Drawing | Single Port Female, 24 Contacts, Side Entry SMT & Through Hole | S= St. Steel | N=Nickel (std) | B=Brass  | GXX=Gold<br>XX=Flash if blank, 5, 10, 15, 30µ" | BK=Black | R=Tape & Reel |

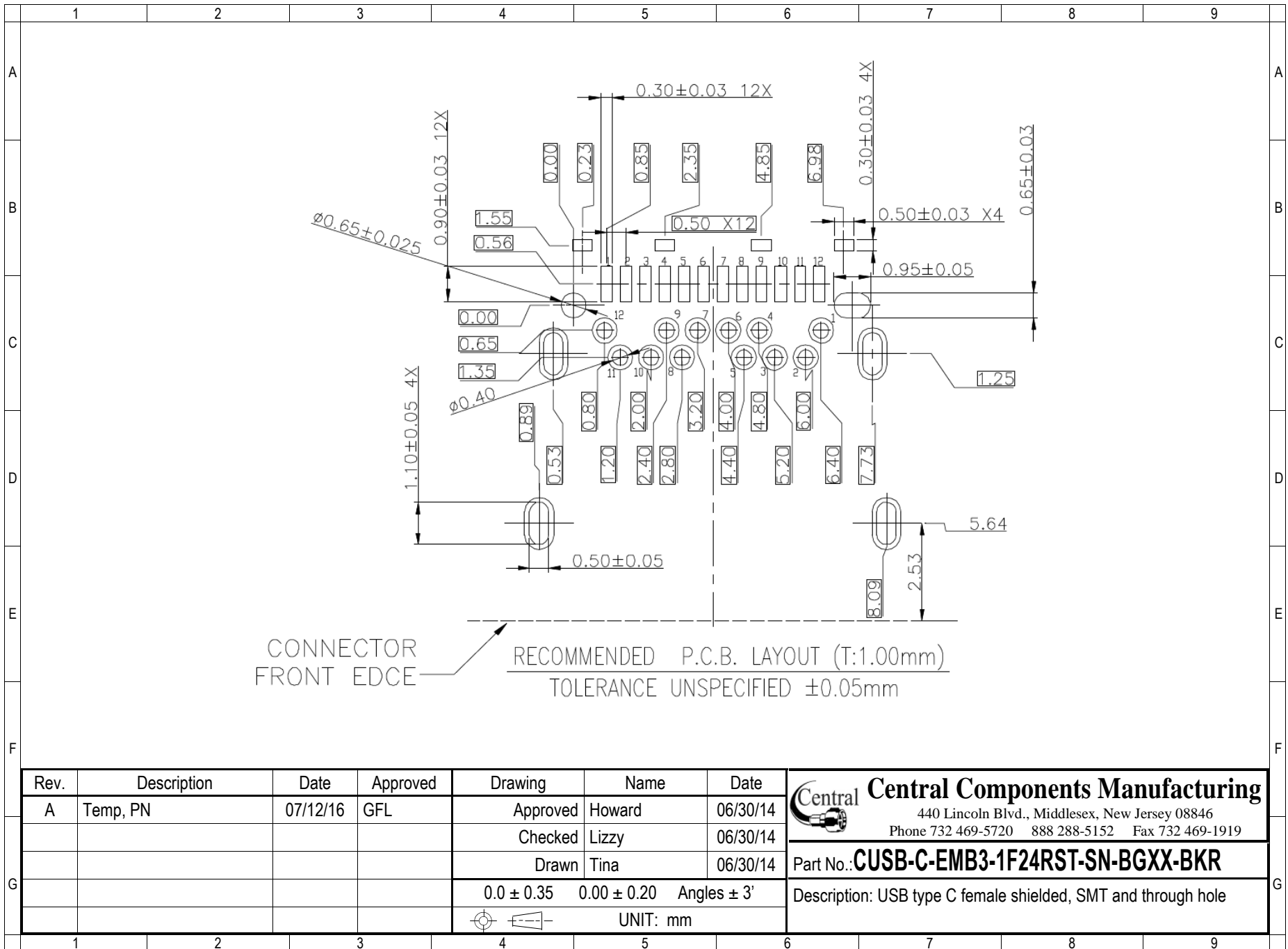
| Rev. | Description | Date     | Approved | Drawing    | Name        | Date        |
|------|-------------|----------|----------|------------|-------------|-------------|
| A    | Temp, PN    | 07/12/16 | GFL      | Approved   | Howard      | 06/30/14    |
|      |             |          |          | Checked    | Lizzy       | 06/30/14    |
|      |             |          |          | Drawn      | Tina        | 06/30/14    |
|      |             |          |          | 0.0 ± 0.35 | 0.00 ± 0.20 | Angles ± 3' |
|      |             |          |          | UNIT: mm   |             |             |

**Central Components Manufacturing**  
 440 Lincoln Blvd., Middlesex, New Jersey 08846  
 Phone 732 469-5720 888 288-5152 Fax 732 469-1919

Part No.: **CUSB-C-EMB3-1F24RST-SN-BGXX-BKR**

Description: USB type C female shielded, SMT and through hole





CONNECTOR FRONT EDGE →  
 RECOMMENDED P.C.B. LAYOUT (T:1.00mm)  
 TOLERANCE UNSPECIFIED ±0.05mm

| Rev. | Description | Date     | Approved | Drawing    | Name        | Date        |
|------|-------------|----------|----------|------------|-------------|-------------|
| A    | Temp, PN    | 07/12/16 | GFL      | Approved   | Howard      | 06/30/14    |
|      |             |          |          | Checked    | Lizzy       | 06/30/14    |
|      |             |          |          | Drawn      | Tina        | 06/30/14    |
|      |             |          |          | 0.0 ± 0.35 | 0.00 ± 0.20 | Angles ± 3' |
|      |             |          |          | UNIT: mm   |             |             |

**Central Components Manufacturing**  
 440 Lincoln Blvd., Middlesex, New Jersey 08846  
 Phone 732 469-5720 888 288-5152 Fax 732 469-1919

Part No.: **CUSB-C-EMB3-1F24RST-SN-BGXX-BKR**

Description: USB type C female shielded, SMT and through hole

## USB TYPE C PIN ASSIGNMENTS

| Pin Number | Signal Name      | Pin Number | Signal Name      |
|------------|------------------|------------|------------------|
| A1         | GND              | B12        | GND              |
| A2         | SSTXp1           | B11        | SSTXp1           |
| A3         | SSTXn1           | B10        | SSTXn1           |
| A4         | V <sub>BUS</sub> | B9         | V <sub>BUS</sub> |
| A5         | CC1              | B8         | SBU2             |
| A6         | Dp1              | B7         | Dn2              |
| A7         | Dn1              | B6         | Dp2              |
| A8         | SBU1             | B5         | CC2              |
| A9         | V <sub>BUS</sub> | B4         | V <sub>BUS</sub> |
| A10        | SSTXn2           | B3         | SSTXn2           |
| A11        | SSTXp2           | B2         | SSTXp2           |
| A12        | GND              | B1         | GND              |

| Rev. | Description | Date     | Approved | Drawing                                  | Name   | Date     | <b>Central Components Manufacturing</b><br>440 Lincoln Blvd., Middlesex, New Jersey 08846<br>Phone 732 469-5720 888 288-5152 Fax 732 469-1919 |
|------|-------------|----------|----------|--|--------|----------|---|
| A    | Temp, PN    | 07/12/16 | GFL      | Approved                                 | Howard | 06/30/14 |   |
|      |             |          |          | Checked                                  | Lizzy  | 06/30/14 |   |
|      |             |          |          | Drawn                                    | Tina   | 06/30/14 |   |
|      |             |          |          | 0.0 ± 0.35    0.00 ± 0.20    Angles ± 3' |        |          | Part No.: <b>CUSB-C-EMB3-1F24RST-SN-BGXX-BKR</b><br>Description: USB type C female shielded, SMT and through hole                             |
|      |             |          |          | UNIT: mm                                 |        |          |   |