

SPECIFICATIONS

Contacts (4 pin): Phos. Bronze, Gold Plated
 Contacts (5 pin): Copper Alloy, Gold Plated
 Contact Res: 30mΩ max
 Housing: PBT, UL 94V-0, Blue
 Insulation Res: 1000MΩ min
 Cover: PBT, UL 94V-0, Blue
 Shell: Stainless Steel (SUS304)<
 Shell Plating: Nickel
 Withstanding: 500V/1-min
 Operating Temp:-55C to +105C

Dueability: 1500 Cycles

Series	Type	Style	Version	Housing	Shell	Shell Plating	Contacts	Contact Plating
CUSB	A	EM1205	4F9RT	P	SS	N	PC	SG
USB Connector	Type A	See Drawing	Four Port Female 9 (4+5) Contacts, Side Entry Thru Hole	P=PBT	SS=Stainless Steel	N=Nickel (std)	B=Brass P=Phos Bronze C=Copper Alloy	Selective Gold

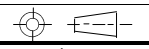
RoHS Compliant

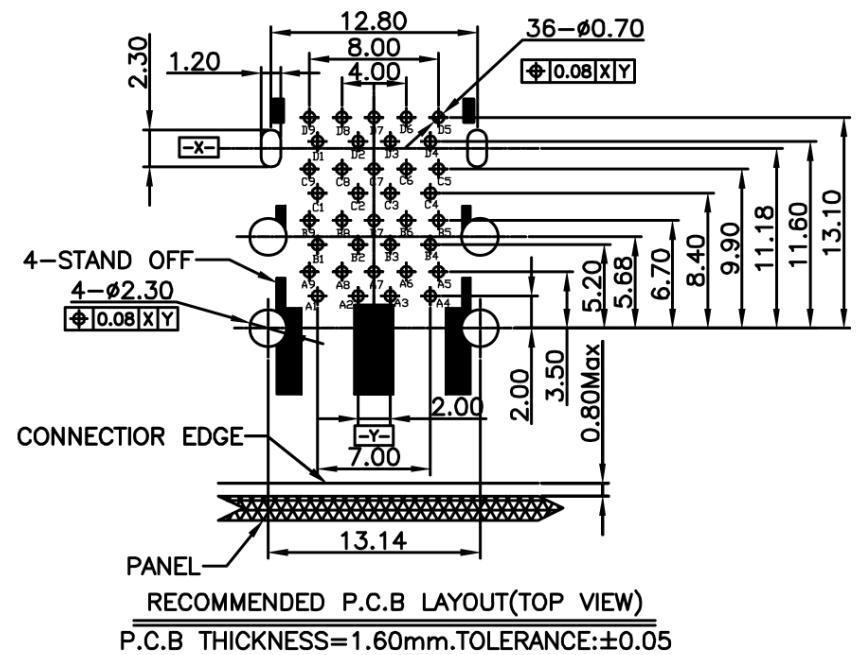
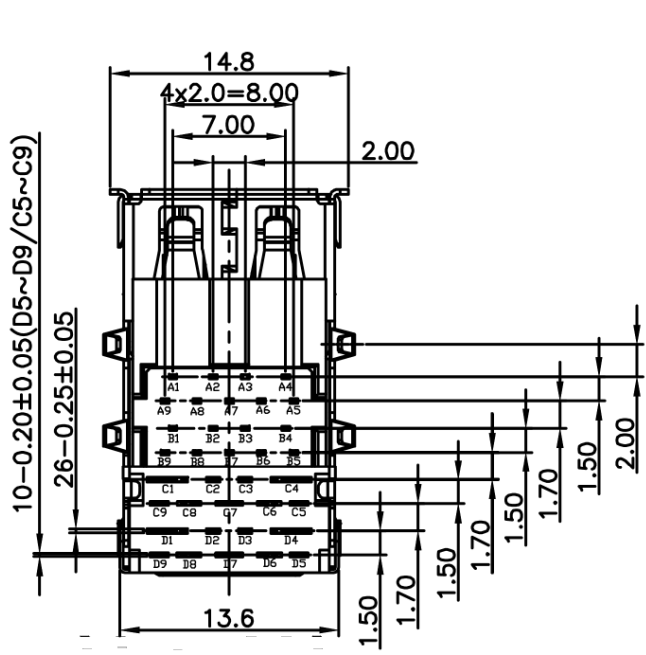
Rev.	Description	Date	Approved	Drawing	Name	Date
				Approved	Howard	11/02/16
				Checked	Lizzy	11/02/16
				Drawn	Tina	11/02/16
				0.0 ± 0.35	0.00 ± 0.20	Angles ± 3'
				UNIT: mm		

Central Components Manufacturing
 440 Lincoln Blvd., Middlesex, New Jersey 08846
 Phone 732 469-5720 888 288-5152 Fax 732 469-1919

Part No.: **CUSB-A-EM1205-4F9RT-P-SSN-PCSG**

Description: USB 3.0 type A female shielded through hole plus SMT mounting





RECOMMENDED P.C.B LAYOUT(TOP VIEW)
P.C.B THICKNESS=1.60mm.TOLERANCE:±0.05

Rev.	Description	Date	Approved	Drawing	Name	Date
				Approved	Howard	11/02/16
				Checked	Lizzy	11/02/16
				Drawn	Tina	11/02/16
				0.0 ± 0.35	0.00 ± 0.20	Angles ± 3'
				UNIT: mm		

Central Components Manufacturing
 440 Lincoln Blvd., Middlesex, New Jersey 08846
 Phone 732 469-5720 888 288-5152 Fax 732 469-1919

Part No.: **CUSB-A-EM1205-4F9RT-P-SSN-PCSG**

Description: USB 3.0 type A female shielded through hole plus SMT mounting