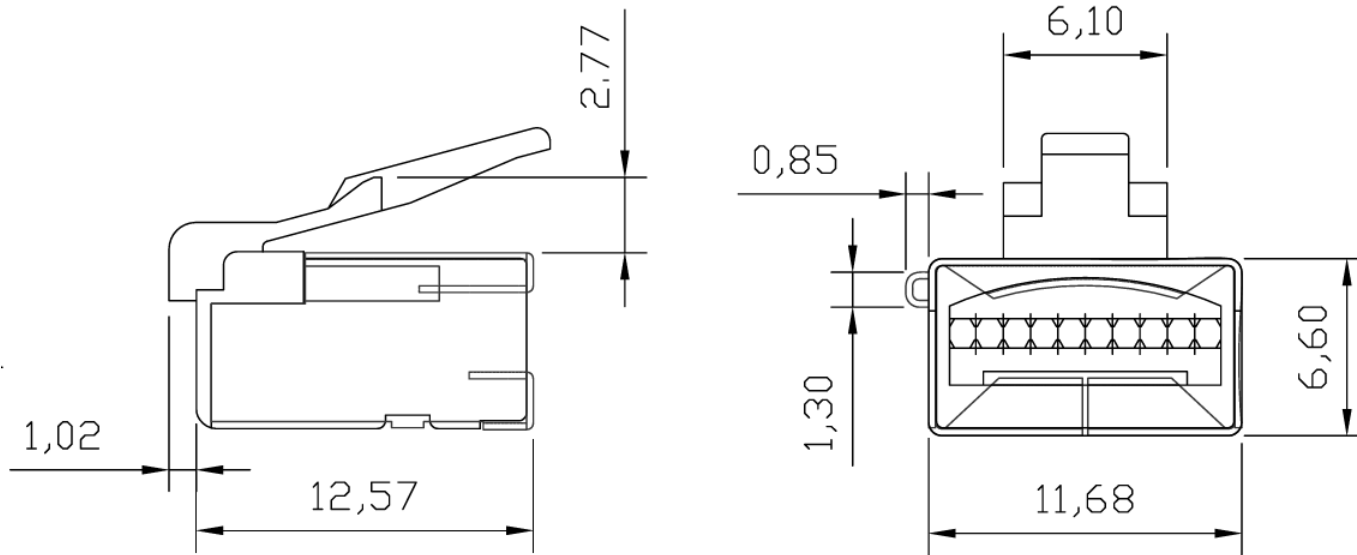


SPECIFICATIONS

Housing: Polycarbonate UL94V-0 or 94-V2, Clear
 Contacts: Phosphor Bronze, 0.35 thick
 Plating: Gold over Nickel



Series	Contacts	Positions	Type	Plating	Options
CTP	10	10	911	PX	XX
Modular plug	8=8 Contacts 10=10 Contacts	10=10 positions	911 Type See drawing	P3=50μ" gold	RW=Round Wire MS=Metal Shield KY=Keyed

RoHS compliant

Rev.	Description	Date	Approved	Drawing	Name	Date
				Approved	Howard	01/13/17
				Checked	Lizzy	01/13/17
				Drawn	Tina	01/13/17
				0.0 ± 0.35	0.00 ± 0.20	Angles ± 3'
					UNIT: mm	

Central Components Manufacturing
 440 Lincoln Blvd., Middlesex, New Jersey 08846
 Phone 732 469-5720 888 288-5152 Fax 732 469-1919

Part No. **CTP-10-10-911-P3-RW-MS-KY**

Description: 10P10C shielded mod plug type 911 for stranded cable