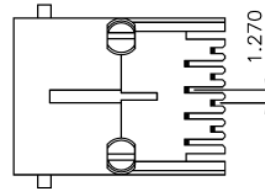
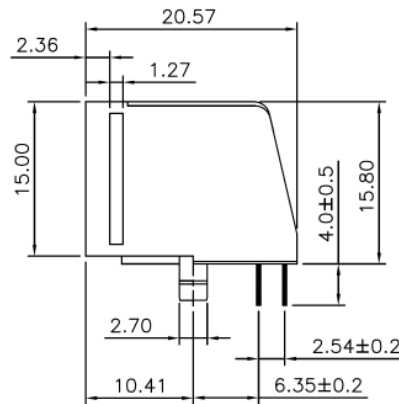
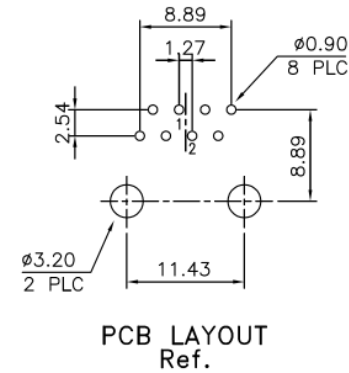


DETAIL W



**SPECIFICATIONS**

Housing: PBT Polyester + Glass Fiber, UL94V-0, Black (std)  
 Contacts: 0.35mm Thick Phos-Bronze Gold Plated in mating area Gold Flash In Solder Area



Series	Positions	Contacts	Style	Color	Plating	Options
CTJ	X	0X	B1	BK	PX	XX
PCB mount modular jack, side entry	4, 6, 8	2, 4, 6, 8	Side entry with flange	BK=Black	P1=15μ" gold P2=30μ" gold P3=50μ" gold	[blank]=None KY=Key WF=No flange DEC=Dec

RoHS Compliant

Rev.	Description	Date	Approved	Drawing	Name	Date
				Approved	Howard	11/25/09
				Checked	Lizzy	11/25/09
				Drawn	Tina	11/25/09
				0.0 ± 0.35	0.00 ± 0.20	Angles ± 3'
				UNIT: mm		

**Central Components Manufacturing**  
 440 Lincoln Blvd., Middlesex, New Jersey 08846  
 Phone 732 469-5720 888 288-5152 Fax 732 469-1919

Part No.: **CTJ-8-08-B1-BK-PX-XX**

Description: Modular jack, PCB mount, side entry