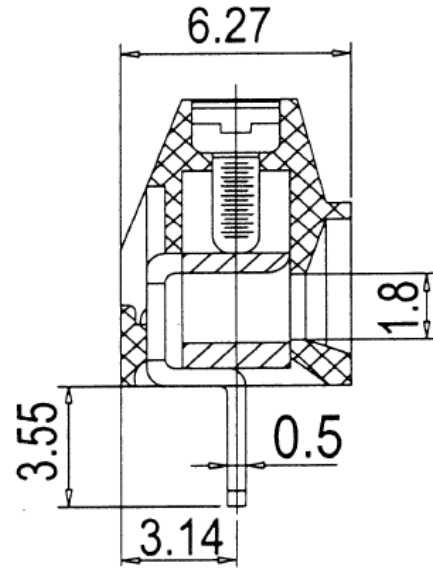
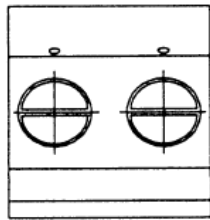
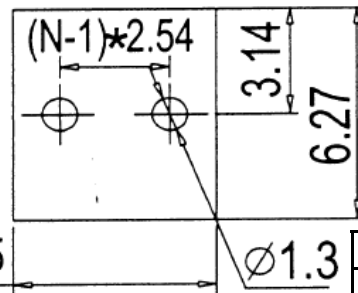


N=Number of contacts



P.C.B.LAYOUT



$N*2.54+0.45$

**SPECIFICATIONS**

Voltage Rating:	150V
Current Rating:	6A
Contacts:	Brass, Tin Plated
Contact Resistance:	20mΩ
Housing:	PA66, UL94V-0
Insulation Resistance:	500MΩ/1000V
Screw:	M1.6, Steel, Zinc Plated
Clamp:	Brass, Tin Plated
Withstanding:	1500VAC/1-min
Operating Temp:	-40°C to +105°C
Processing Temp:	+250°C/5-sec
Torque:	0.1Nm, 0.89lb/inch
Wire Range:	26-18AWG

**RoHS Compliant**

Series	Type	Pitch	Positions	Color
CMTB	F120	254	XX	GN
Terminal block	See diagram	254=2.54mm	02-24	GN=Green

Rev.	Description	Date	Approved	Drawing	Name	Date
				Drawn	Tina	05/06/13
				Checked	Lizzy	05/06/13
				Approved	Howard	05/06/13
				0.0 ± 0.35	0.00 ± 0.20	Angles ± 3'
				Unit: mm		

**Central Components Manufacturing**  
 440 Lincoln Blvd., Middlesex, New Jersey 08846  
 Phone 732 469-5720 888 288-5152 Fax 732 469-1919

Part No.: **CMTB-F120-254-XX-GN**

Description: Terminal block, 0.100 z92.54mm) pitch, top screw, side entry