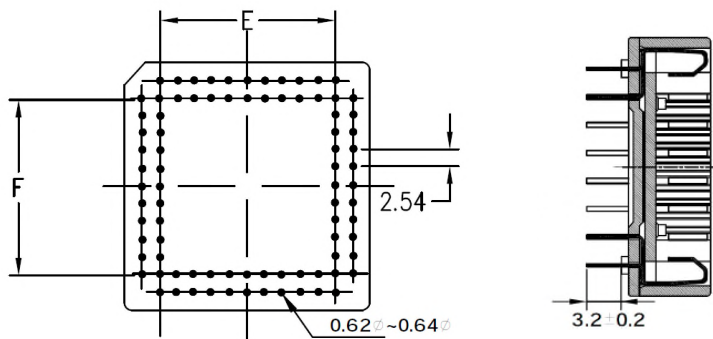


**SPECIFICATIONS**

Current Rating: 1 A  
 Contact Resistance: 30mΩ max at DC 100mA  
 Contact Material: Phosphor Bronze  
 Contact Plating: Gold or Tin over Nickel  
 Insulator Material: PPS UL94V-0, Brown (HT)  
 PBT with 30% Class Fiber UL94V-0, Black  
 Insulator Resistance: 1000MΩ min at DC 500V  
 Withstanding: 500VAC for 1 minute  
 Processing Temp: 240°C to 245°C (HT)  
 210°C to 220°C  
 Temperature Range: -55°C to +105°C (HT)  
 -55°C to +85°C



Dimensions						
Contacts	A	B	C	D	E	F
20	15.50	15.50	5.08	5.08	5.08	5.08
28	18.04	18.04	7.62	7.62	7.62	7.62
32	18.04	20.54	7.62	10.16	7.62	10.16
44	23.48	23.48	12.70	12.70	12.70	12.70
52	25.88	25.88	15.24	15.24	15.24	15.24
68	31.66	31.66	20.32	20.32	20.32	20.32
68 (HT)	31.04	31.04	20.32	20.32	20.32	20.32
84	36.66	36.66	25.40	25.40	25.40	25.40
84 (HT)	36.04	36.04	25.40	25.40	25.40	25.40

Series	Positions	Contact Finish	Options
CCTH	XX	XX	XX
PLCC Socket Through Hole	20,28,32,44,52,68, 84 (see chart)	TN=Tin (std) GD=Gold	Blank=None HT=High Temp

RoHS compliant

Rev.	Description	Date	Approved	Drawing	Name	Date
A	Dim Table	07/18/08	GL	Approved	Howard	04/09/01
B	Section View	03/13/14	GL	Checked	Lizzy	04/09/01
C	Plating Corrected	12/09/14	GL	Drawn	Tina	04/09/01
				0.0 ± 0.35	0.00 ± 0.20	Angles ± 3'
				UNIT: mm		

**Central Components Manufacturing**  
 440 Lincoln Blvd., Middlesex, New Jersey 08846  
 Phone 732 469-5720 888 288-5152 Fax 732 469-1919

Part No.: **CCTH-XX-XX-XX**

Description: PLCC socket, through hole