

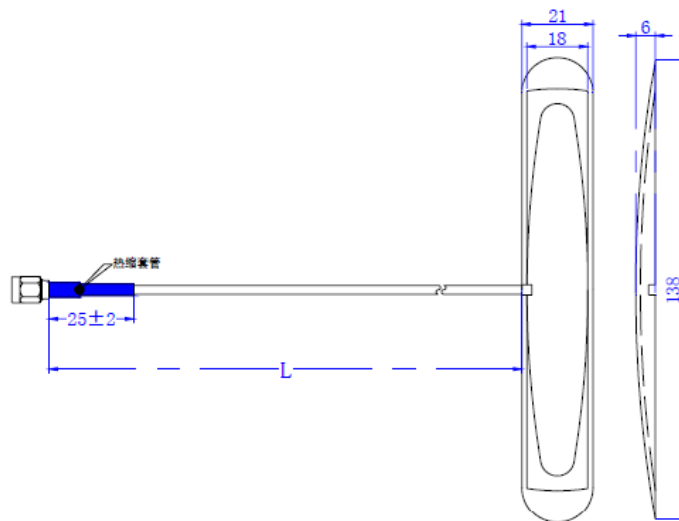
## Quad Band GSM/UMTS Antenna with SMA connector



### Product Specifications<sup>1</sup>: (at +25°C)

Testing Item	Test Condition	Min	Nom	Max	Unit
<b>Antenna Specifications</b>					
Frequency Range	GSM900 DCS1800 PCS1900 UMTS2100	880 1710 1850 1900		960 1880 1990 2170	MHz
VSWR			2.0:1		
Impedance			50		ohms
Gain	@900 MHz @1800 MHz @1900 MHz @2000 MHz		1 2 2.5 3		dBi
Azimuth			Omni		
Polarization			Linear		
<b>Environmental Specification</b>					
Working Temperature		-25		+65	°C
Storage Temperature		-40		+85	°C
Vibration	Sine sweep (0-pk) 10~50~10 Hz each axis		1		g
<b>Mechanical Specification</b>					
Cable Length (L)	RG174		3.0		meter
Connector			SMA Male		
Mounting			Adhesive		
Enclosure			Plastic		

### Outline Drawing (in mm)



<sup>1</sup> Specifications are subject to change without notice.