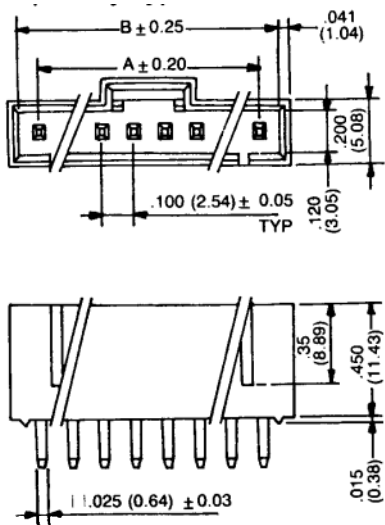
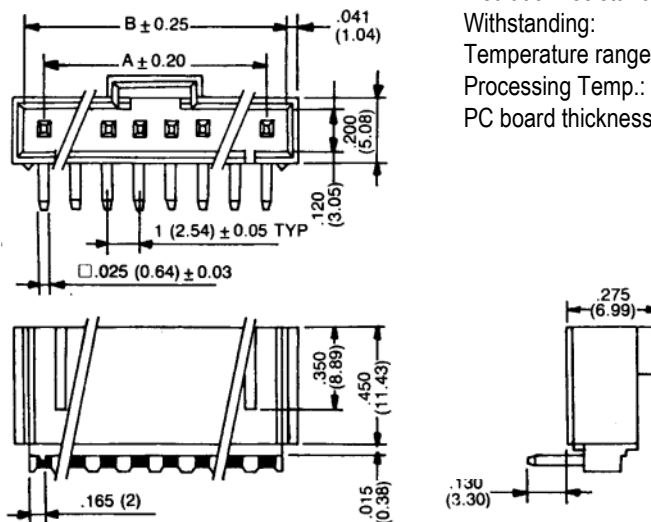


JS-1143 Top Entry



JS-1143R Side Entry



SPECIFICATIONS

Voltage rating: 250 VAC/VDC
 Current rating: 3 amps AC/DC
 Contact resistance: Initial value 10 milliohms max.; after testing 20milliohms max.
 Insulation material: PBT +15% glass fiber, UL94V-0
 Insulation resistance: 1,000 megohms min.
 Withstanding: 1,000VAC for 1 min.
 Temperature range: -25°C to + 85°C
 Processing Temp.: 230°C +/- 5°C for 5 +/- 0.5 sec
 PC board thickness: .063 (1.6mm)

Poles	A	B
2	.100 (02.54)	.220 (5.60)
3	.200 (05.08)	.320 (8.14)
4	.300 (07.62)	.420 (10.68)
5	.400 (10.19)	.520 (13.22)
6	.500 (12.70)	.620 (15.76)
7	.600 (15.24)	.720 (18.30)
8	.700 (17.78)	.820 (20.84)
9	.800 (20.32)	.920 (23.38)
10	.900 (22.86)	1.020 (25.92)
11	1.000 (25.40)	1.120 (28.46)
12	1.100 (27.94)	1.220 (31.00)
13	1.200 (30.48)	1.320 (33.54)
14	1.300 (33.02)	1.420 (36.08)
15	1.400 (35.56)	1.520 (38.62)
16	1.500 (38.10)	1.620 (41.16)
17	1.600 (40.64)	1.720 (43.70)
18	1.700 (43.18)	1.820 (46.24)

Series	Type	Positions
JS-CH	1143X	XX
.100" locking copnector	1143=Top Entry 1143R=Side Entry	01-18

RoHS compliant

Rev.	Description	Date	Approved	Drawing	Name	Date
				Approved	Howard	09/10/98
				Checked	Lizzy	09/10/98
				Drawn	Tina	09/10/98
				0.0 ± 0.35	0.00 ± 0.20	Angles ± 3'
				UNIT: mm		

Central Components Manufacturing
 440 Lincoln Blvd., Middlesex, New Jersey 08846
 Phone 732 469-5720 888 288-5152 Fax 732 469-1919

Part No.: **JS-1143X-XX**
 Description: Disconnectable locking connector, .100" (2.54mm) pitch