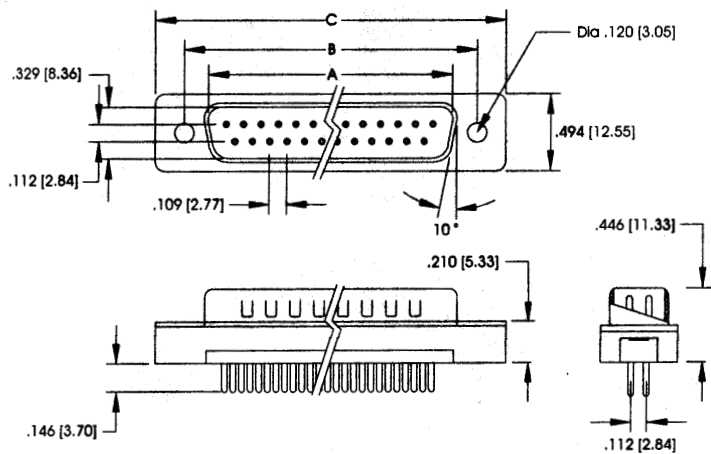


Plug



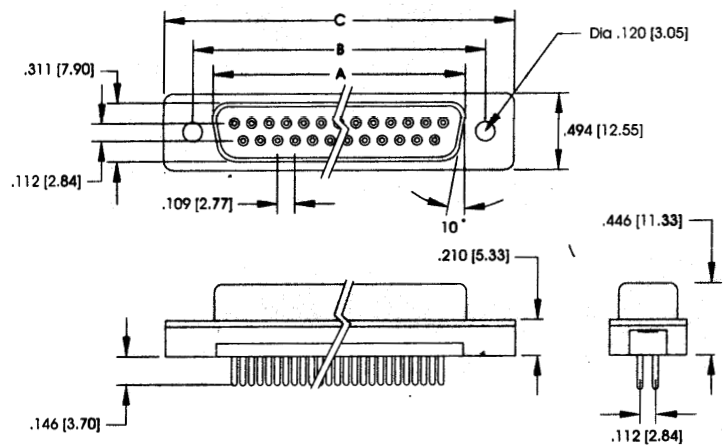
SPECIFICATIONS

Current rating: 5 amps max.
 Voltage rating: 600VDC
 Contact material: Phosphor bronze
 Contact plating: Contacts, gold over nickel
 Solder pins, gold flash
 Contact resistance: 20 milliohms max.
 Insulator material: Polybutylene Terephthalate (PBT) glass reinforced, UL94V-0
 Insulation resistance: 5,000 megohms min. at 1,000 volts AC
 Shell material: Steel, tin plated
 Capacitance: 2 pF max between adjacent contacts
 Operating temperature: -65°C to +125°C

Plug Dimensions in/(mm)			
Pos.	A	B	C
9	0.666 (16.92)	0.984 (24.99)	1.213 (30.81)
15	0.994 (25.25)	1.312 (33.32)	1.541 (39.14)
25	1.534 (38.96)	1.852 (47.04)	2.088 (53.04)
37	2.006 (50.95)	2.500 (63.50)	2.730 (69.34)

Socket Dimensions in/(mm)			
Pos.	A	B	C
9	0.643 (16.33)	0.984 (24.99)	1.213 (30.81)
15	0.971 (24.66)	1.312 (33.32)	1.541 (39.14)
25	1.511 (38.38)	1.852 (47.04)	2.088 (53.04)
37	1.976 (50.19)	2.500 (63.50)	2.730 (69.34)

Socket



Series	Contacts	Style	Tails	Mounting Face Options
DS	XX	SXX	A	XX
D-subminiature connector	09, 15, 25, 37	FT=Female socket MT=Male plug	Standard	01=.120" thru holes 02=#4-40 threaded inserts 03=Inserts and boardlocks 04=Jackscrews 05=Jackscrews and boardlocks

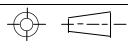
RoHS compliant

Rev.	Description	Date	Approved	Drawing	Name	Date
				Approved	Howard	08/10/99
				Checked	Lizzy	08/10/99
				Drawn	Tina	08/10/99
				0.0 ± 0.35	0.00 ± 0.20	Angles ± 3'
				UNIT: mm		

Central Components Manufacturing
 440 Lincoln Blvd., Middlesex, New Jersey 08846
 Phone 732 469-5720 888 288-5152 Fax 732 469-1919

Part No.: **DSXX-SXX-A-XX**

Description: Straight PCB flush mount D-sub



UNIT: mm