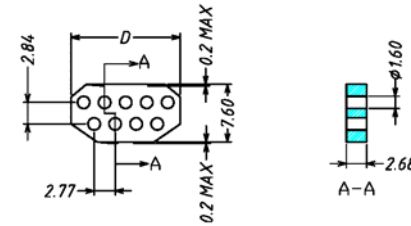
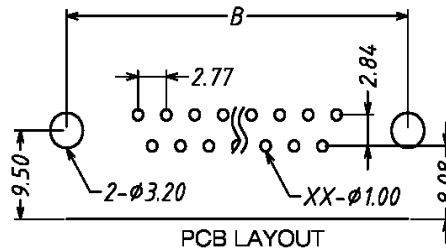
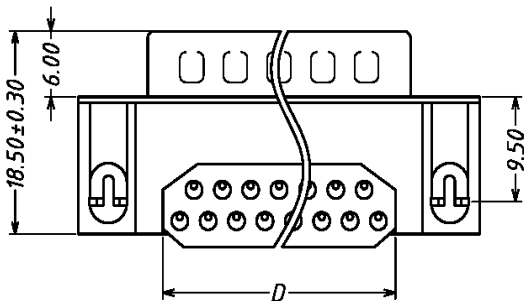


**SPECIFICATIONS:**

Current rating: 5 amps  
 Contact material: Brass or phosphor bronze  
 Contact plating: Gold over nickel  
 Contact resistance: 30 milliohms max.  
 Shell material: Steel, tin plated, dimples on plug only  
 Insulator: PBT (Polybutylene Terephthalate) + 30% glass fiber, UL94V-0  
 Insulation resistance: 1,000 megohms min.  
 Withstanding: 500VAC min. RMS  
 Grounding bracket: Brass, tin plated  
 Riveted insert: Brass, nickel plated  
 Operating temperature: -55°C to +125°C



Pins	A	B	C	D
9	16.92	24.99	30.85	14.40
15	25.25	33.32	39.14	22.71
25	38.96	47.04	53.04	36.56
37	55.42	63.50	69.32	53.18

Series	Type	PCB Mounting Options	Mounting/Face Options	Special Options
DSXX	XR	X (diagrams pg. 2)	X (diagrams pg. 3)	XX
D-sub connector XX=Pins 09, 15, 25, 37	MR=Male FR=Female	1=Wraparound ground straps with screw holes 2=Top side only ground straps with #4-40 threaded screw holes 3=Forked board locks 4=Top side only ground straps with screw holes	A=#4-40 fixed jack screws B=#4-40 threaded inserts C=#4-40 threaded inserts w/ jackscrews installed CN= Inserts w/ Jackscrew Separate D=.120" non-threaded through holes	[blank]=None 30GD=30μ" gold plate FF=Ferrite filter installed

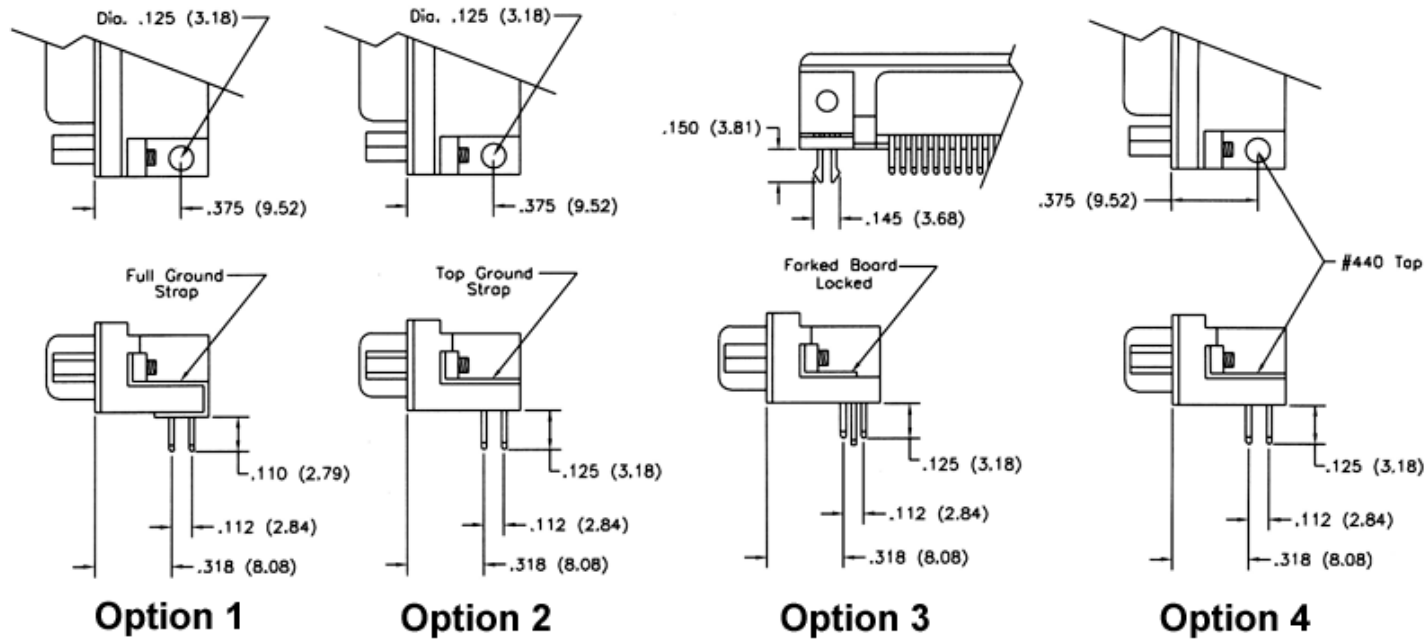
RoHS compliant

Rev.	Description	Date	Approved	Drawing	Name	Date
				Approved	Howard	08/10/99
				Checked	Lizzy	08/10/99
				Drawn	Tina	08/10/99
				0.0 ± 0.35	0.00 ± 0.20	Angles ± 3'
				UNIT: mm		

**Central Components Manufacturing**  
 440 Lincoln Blvd., Middlesex, New Jersey 08846  
 Phone 732 469-5720 888 288-5152 Fax 732 469-1919

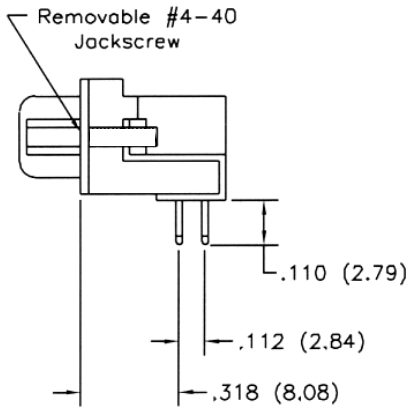
Part No.: **DSXX-MR-3-B-FF**  
 Description: D-sub connector, 0.318" right angle male, PCB mount, ferrite filter

## PC Board Mounting Options

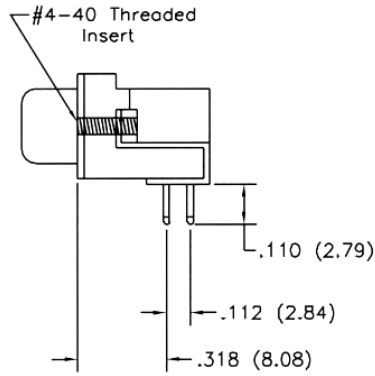


Rev.	Description	Date	Approved	Drawing	Name	Date	<b>Central Components Manufacturing</b> 440 Lincoln Blvd., Middlesex, New Jersey 08846 Phone 732 469-5720 888 288-5152 Fax 732 469-1919
				Approved	Howard	08/10/99	
				Checked	Lizzy	08/10/99	
				Drawn	Tina	08/10/99	
				0.0 ± 0.35	0.00 ± 0.20	Angles ± 3'	Part No.: <b>DSXX-MR-3-B-FF</b>
				UNIT: mm	Description: D-sub connector, 0.318" right angle male, PCB mount, ferrite filter		

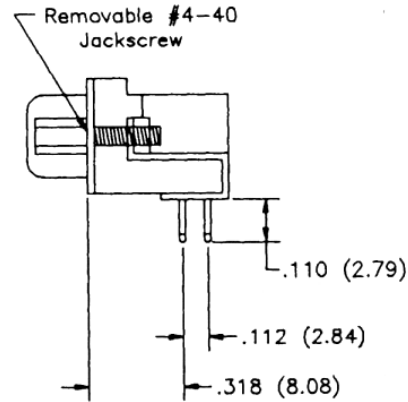
### Face Options



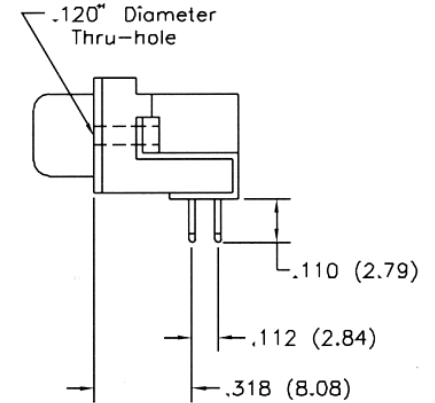
**Option A**



**Option B**

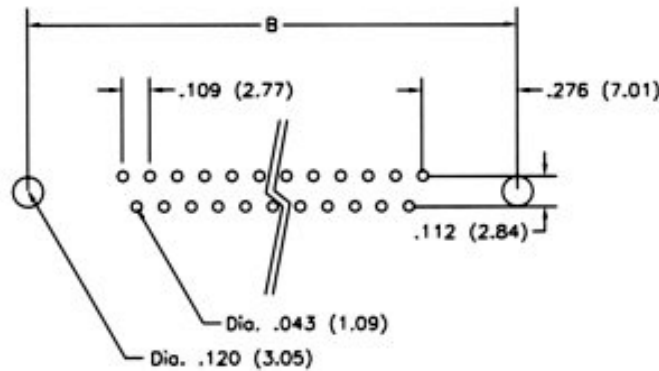


**Option C**



**Option D**

### PC Board Options



Rev.	Description	Date	Approved	Drawing	Name	Date
				Approved	Howard	08/10/99
				Checked	Lizzy	08/10/99
				Drawn	Tina	08/10/99
				0.0 ± 0.35	0.00 ± 0.20	Angles ± 3'
					UNIT: mm	

**Central Components Manufacturing**  
440 Lincoln Blvd., Middlesex, New Jersey 08846  
Phone 732 469-5720 888 288-5152 Fax 732 469-1919

Part No.: **DSXX-MR-3-B-FF**

Description: D-sub connector, 0.318" right angle male, PCB mount, ferrite filter