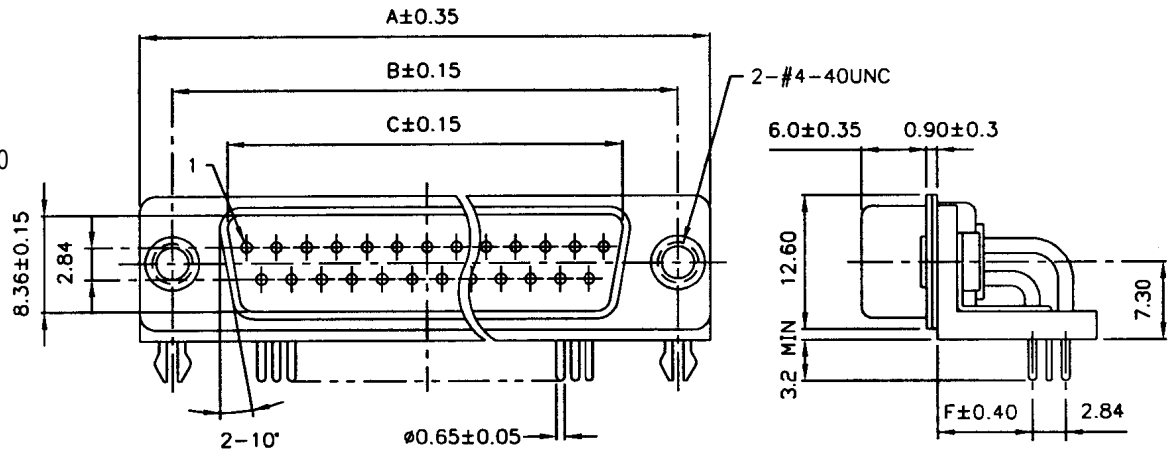
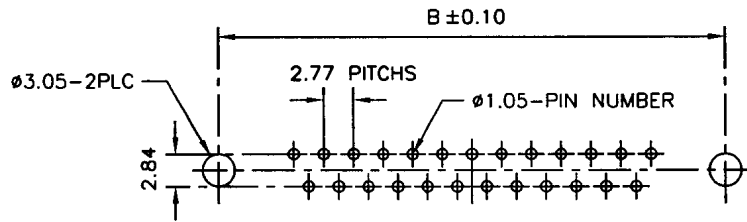


SPECIFICATIONS

Current rating: 5 amps
 Contact material: Brass, machined
 Contact plating: Gold flash
 Contact resistance: 15 milliohms max.
 Insulation material: PBT + 30% glass fiber, UL94V-0
 Insulation resistance: 1,000 megohms max.
 Shell material: Steel
 Shell plating: Tin or yellow chromate
 Withstanding: 500VAC for 1 min.
 Temperature range: -50°C to +100°C



PC Board Layout



Dimensions (mm)				
Pos.	A	B	C	F
09	30.80	24.99	17.90	7.20/9.40
15	39.15	33.32	26.57	7.20/9.40
25	53.00	47.04	39.98	7.20/9.40
37	69.30	63.50	56.56	7.20/9.40
50	67.00	61.00	54.20	7.20/9.40

Series	Type	Footprint	Shell Plating	Mounting	Options
DSXX	MM	X	TN	03	XX
XX=Pins 9, 15, 25, 37, 50	FM=Machined pin, R/A female MM=Machined pin, R/A male	A=.283" B=.545" D=.370"	TN = Tin YC=Yellow chromate	01=#4-40 jackscrews w/bracket (.545" only) 02=.118" through-hole 03=Riveted clinch nut	[blank]=None BK=Black insulator 30GD=30µ" gold

RoHS compliant

Rev.	Description	Date	Approved	Drawing	Name	Date
				Approved	Howard	08/10/99
				Checked	Lizzy	08/10/99
				Drawn	Tina	08/10/99
				0.0 ± 0.35	0.00 ± 0.20	Angles ± 3'
						UNIT: mm

Central Components Manufacturing
 440 Lincoln Blvd., Middlesex, New Jersey 08846
 Phone 732 469-5720 888 288-5152 Fax 732 469-1919

Part No.: **DSXX-MM-X-TN-03-XX**

Description: D-subminiature connector, right angle, male, open type, machined-pin, male