

Pos.	A	B	C	D
09	16.33	24.99	30.85	14.40
15	24.66	33.32	39.14	27.71
25	38.38	47.04	53.04	35.56
37	54.84	63.50	69.32	53.18

RoHS compliant

Series	Type	PCB Mounting Options	Mounting/Face Options	Special Options
DSXX	XR	X (See diagrams pg. 2)	X (See diagrams pg. 3)	XX
D-sub connector XX=Sockets 09, 15, 25, 37	MR=Male FR=Female	1=Wraparound ground straps with screw holes 2=Top side only ground straps with #4-40 threaded screw holes 3=Forked board locks 4=Top side only ground straps with screw holes	A=#4-40 fixed jack screws B=#4-40 threaded inserts C=#4-40 threaded inserts w/ jack-screws installed CN=Inserts w/ Jackscrews Separate D=.120" non-threaded through holes	[blank]=None 30GD=30μ" gold plate FF=Ferrite filter installed

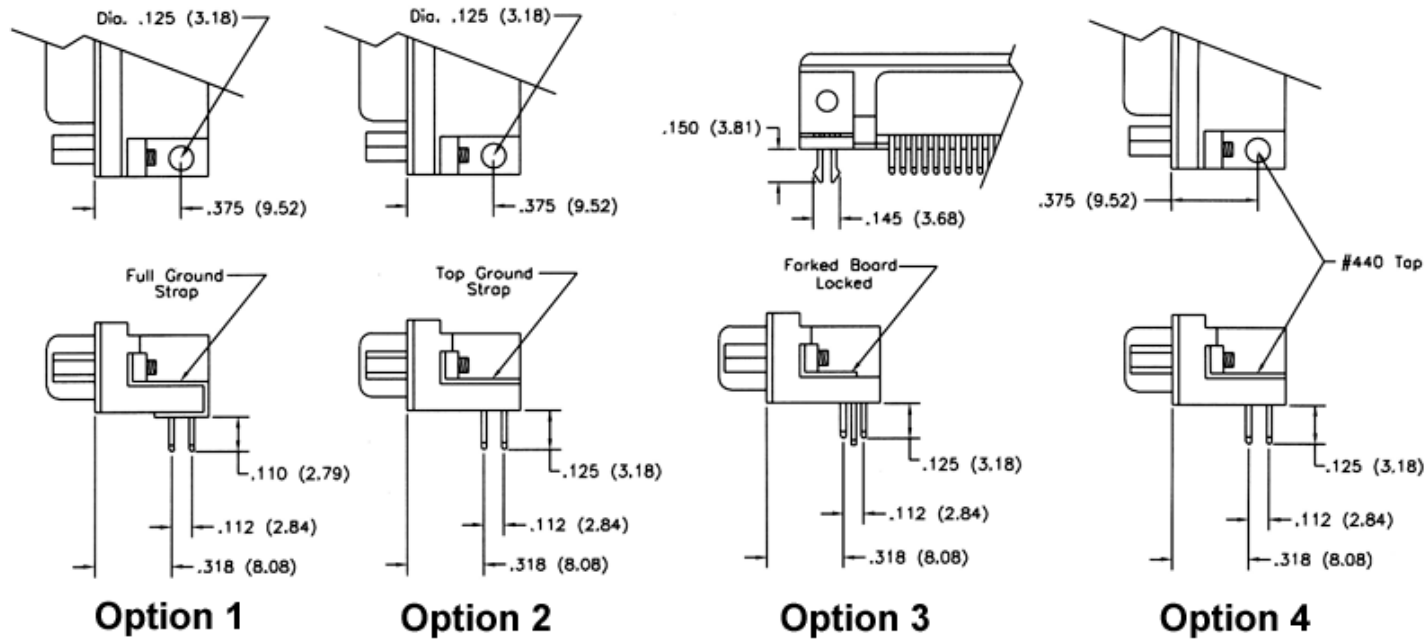
Rev.	Description	Date	Approved	Drawing	Name	Date
				Approved	Howard	08/10/99
				Checked	Lizzy	08/10/99
				Drawn	Tina	08/10/99
				0.0 ± 0.35	0.00 ± 0.20	Angles ± 3'
				UNIT: mm		

Central Components Manufacturing
 440 Lincoln Blvd., Middlesex, New Jersey 08846
 Phone 732 469-5720 888 288-5152 Fax 732 469-1919

Part No.: **DSXX-FR-3-B-FF**

Description: D-subminiature connector, 0.318" right angle female, PCB mount, ferrite filter

PC Board Mounting Options



RoHS compliant

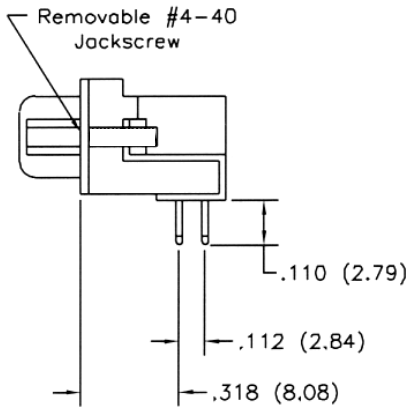
Rev.	Description	Date	Approved	Drawing	Name	Date
				Approved	Howard	08/10/99
				Checked	Lizzy	08/10/99
				Drawn	Tina	08/10/99
				0.0 ± 0.35	0.00 ± 0.20	Angles ± 3'
					UNIT: mm	

Central Components Manufacturing
 440 Lincoln Blvd., Middlesex, New Jersey 08846
 Phone 732 469-5720 888 288-5152 Fax 732 469-1919

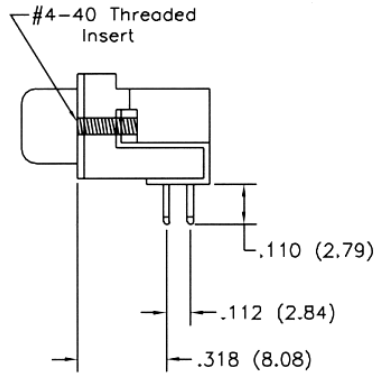
Part No.: **DSXX-FR-3-B-FF**

Description: D-subminiature connector, 0.318" right angle female, PCB mount, ferrite filter

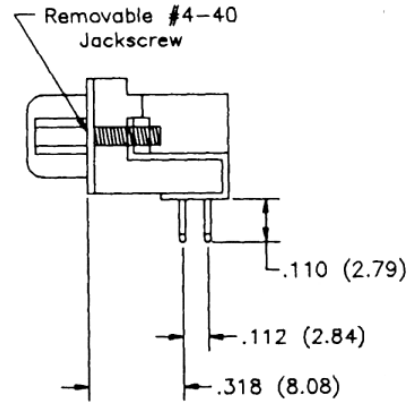
Mounting/Face Options



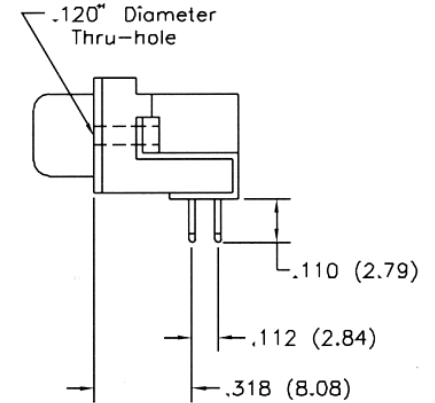
Option A



Option B

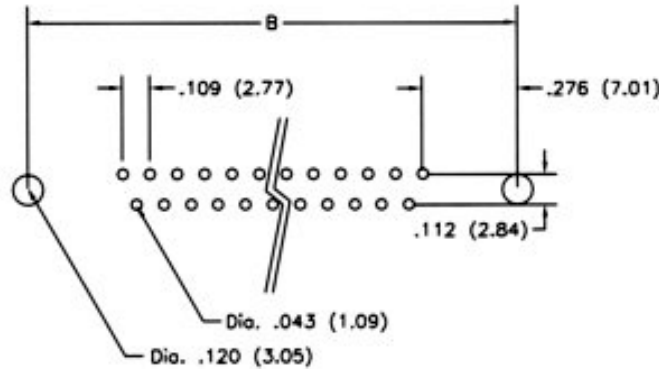


Option C



Option D

PC Board Options



RoHS compliant

Rev.	Description	Date	Approved	Drawing	Name	Date
				Approved	Howard	08/10/99
				Checked	Lizzy	08/10/99
				Drawn	Tina	08/10/99
				0.0 ± 0.35	0.00 ± 0.20	Angles ± 3'
					UNIT: mm	

Central Components Manufacturing
440 Lincoln Blvd., Middlesex, New Jersey 08846
Phone 732 469-5720 888 288-5152 Fax 732 469-1919

Part No.: **DSXX-FR-3-B-FF**

Description: D-subminiature connector, 0.318" right angle female, PCB mount, ferrite filter