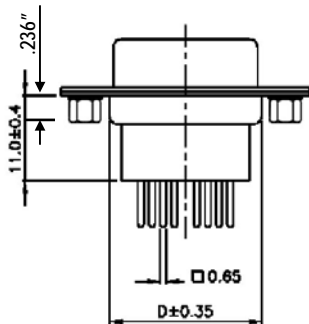
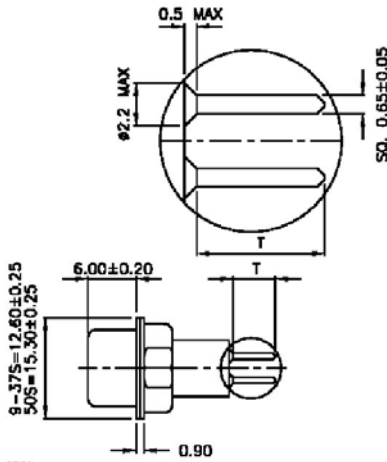
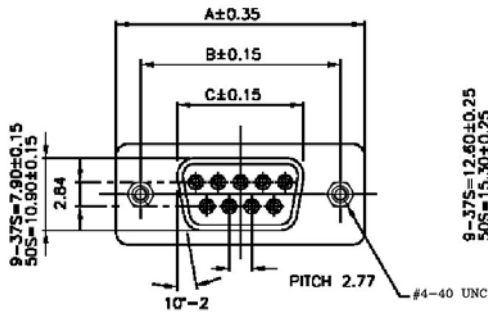
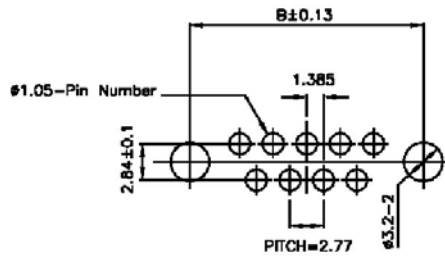


UNIT: MM



PCB LAYOUT



SPECIFICATIONS

Current rating: 5 amps
 Contact material: Brass, stamped pin
 Contact plating: Gold in contact area
 Gold or tin on solder tails
 Contact resistance: 30 milliohms max.
 Insulator material: PBT and Nylon 6T, UL94V-0
 Insulator resistance: 5000 megohms min.
 Shell material: Steel
 Shell plating: Tin
 Withstanding: 1000 VAC/1 min.
 Operating temp.: -55°C to +105°C

Dimensions					
Positions	A	B	C	D	T
9	30.80	24.99	16.34	19.20	3.6 5.4 7.2
15	39.15	33.32	24.70	27.70	
25	53.00	47.04	38.40	41.10	
37	69.30	63.50	54.80	57.30	
50	67.00	61.00	51.20	55.10	

Series	Type	Tail Options (T)	Face Options	Other Options
DSXX	FHT	X	XXX	XX
D-sub connector XX=Pins 9, 15, 25, 37, 50	FT=Female vertical mount MT=Male vertical mount MHT=Male high profile FHT=Female high profile	B=Wire wrap A5=3.6mm A6=5.4mm A7=7.2mm	[blank]=.120" thru hole RCN=Clinch nut RJS=Jackscrew RSBX=Standoff with board locks X=Board lock length 1=11mm 2=12mm 3=12.7mm 4=13.7mm 5=14.7mm	[blank]=None FF=Ferrite filter

RoHS compliant

Rev.	Description	Date	Approved	Drawing	Name	Date
				Approved	Howard	10/07/08
				Checked	Lizzy	10/07/08
				Drawn	Tina	10/07/08
				0.0 ± 0.35	0.00 ± 0.20	Angles ± 3'
				UNIT: mm		

Central Components Manufacturing
 440 Lincoln Blvd., Middlesex, New Jersey 08846
 Phone 732 469-5720 888 288-5152 Fax 732 469-1919

Part No.: **DSXX-FHT-X-RCN(.236)-XX**

Description: D-sub connector, female, high profile, vertical PCB mount, stamped pin