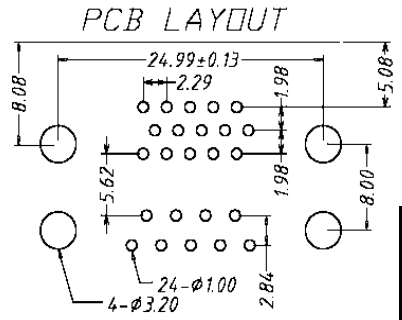
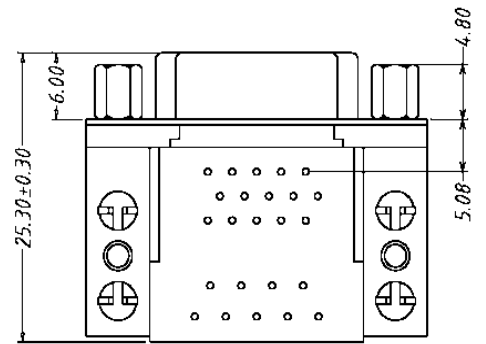


**SPECIFICATIONS**  
 Current rating: 3 amps  
 Contact material: Brass  
 Contact resistance: 25 milliohms max.  
 Insulator material: PBT + 30% glass fiber, UL94V-0  
 Insulator resistance: 5,000 megohms min at 500 VDC  
 Shell material: Steel  
 Withstanding: 1,000VAC for 1 min.  
 Insertion force: 300gf max.  
 Separation force: 25gf min.  
 Temperature range: -55°C to +105°C



Dimensions (mm)		
Spacing (X)	E	F
A (.625)	15.88	28.38
B (.750)	19.05	31.55
C (.900)	22.86	35.36



Series	Gender	Port Spacing	Mounting Face Options	Options
DSDXX/YY	XX	X	X	XX
Dual-port D-sub XX=Upper position YY=Lower position (Omit if same as upper)	MM=Male over male MF=Male over female FM=Female over male FF=Female over female FMF=Female over male-female	A=.625" B=.750" C=.900"	01=.120" thru hole 02=#4-40 threaded hole 03=#4-40 threaded insert w/jackscrew 04=Boardlocks, front and rear 04S=Boardlocks, rear only 04F=Boardlocks, front only	[blank]=None FF=Ferrite filter 30GD=30μ" gold plate 15GD=15μ" gold plate

RoHS compliant

Rev.	Description	Date	Approved	Drawing	Name	Date
				Approved	Howard	04/04/02
				Checked	Lizzy	04/04/02
				Drawn	Tina	04/04/02
				0.0 ± 0.35	0.00 ± 0.20	Angles ± 3'
				UNIT: mm		

**Central Components Manufacturing**  
 440 Lincoln Blvd., Middlesex, New Jersey 08846  
 Phone 732 469-5720 888 288-5152 Fax 732 469-1919

Part No.: **DSD09/HD15-MF-X-0203**

Description: D-sub connector, stacked, 9P male over 15P high density female, #4-40 thru holes, jackscrews in threaded holes