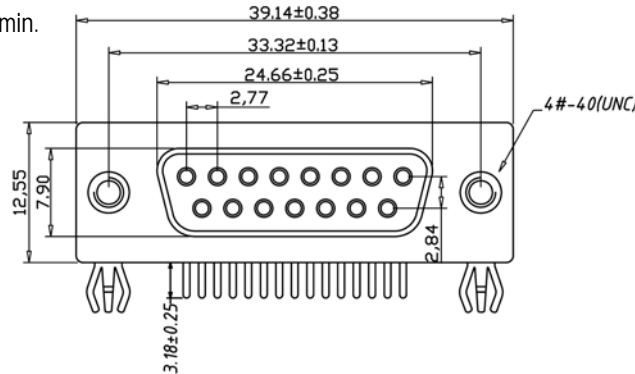
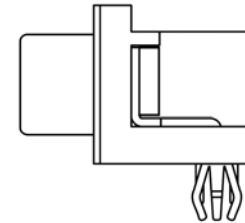
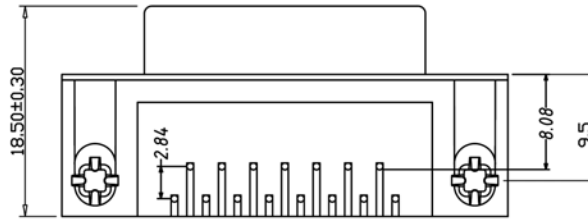


SPECIFICATIONS::

Voltage rating: 250 VAC max.
 Current rating: 3 amp max.
 Contact material: Pin (male), brass
 Socket (female), phosphor bronze
 Contact plating: Gold over nickel
 Contact resistance: 10 milliohms max.
 Shell material: Steel
 Shell plating: Tin or chromate
 Insulator: PBT +glass fiber, UL94V-0
 High Temp (PA9T Nylon) Available
 Insulator resistance: 5,000 megohms min.
 Withstanding: 1,000VAC for 1 min. RMS
 Durability: 500 insertion/separation cycles min.
 Operating temperature: -55°C to +125°



Dimensions mm (in)			
Pins	A	B	C
9	16.34 (0.666)	24.99 (0.984)	30.80 (1.213)
15	24.70 (0.994)	33.32 (1.312)	39.15 (1.541)
25	38.40 (4.534)	47.04 (1.852)	53.00 (2.088)
37	54.80 (2.182)	63.50 (2.500)	69.30 (2.729)
50	52.20 (2.055)	61.00 (2.402)	67.00 (2.638)

Series	Type	PCB Mounting Options	Mounting/Face Options	Special Options
DSXX	XR	X (diagrams pg. 2)	X (diagrams pg. 3)	XX
D-sub connector XX=Pins 09, 15, 25, 37, 50	MR=Male FR=Female	1=Wraparound ground straps with screw holes 2=Top side only ground straps with #4-40 threaded screw holes 3=Forked board locks 34=4 Prong Board Locks 4=Top side only ground straps with screw holes	A=#4-40 fixed jack screws AR=#4-40 Fixed Round Jack Screws B=#4-40 threaded inserts C=#4-40 threaded inserts w/ jackscrews installed CN=Inserts w/ Jackscrews Separate D=.120" non-threaded through holes	[blank]=None XXGD=Gold plate XX=Flash if blank, 3,5,10,15,30u" FF=Ferrite filter Installed HT=High Temp PA9T Nylon

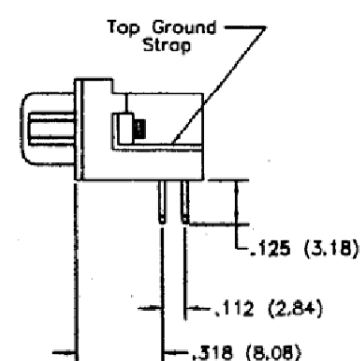
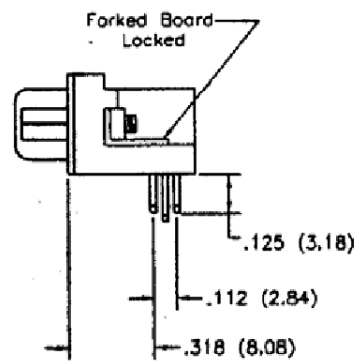
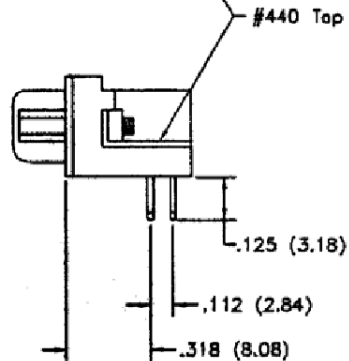
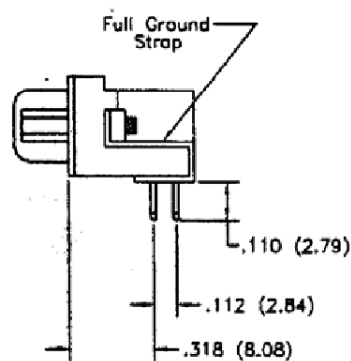
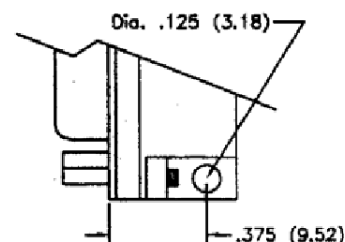
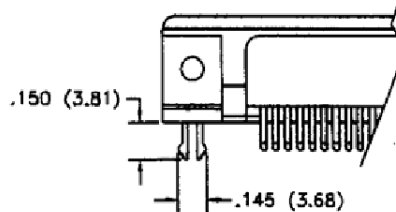
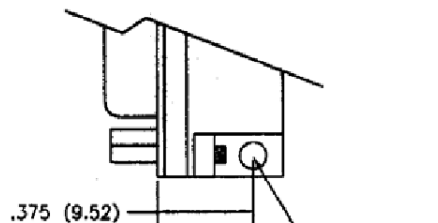
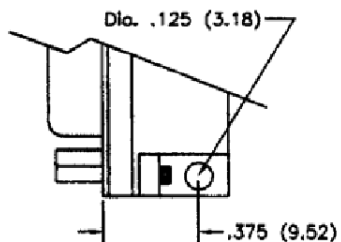
RoHS compliant

Rev.	Description	Date	Approved	Drawing	Name	Date
				Approved	Howard	08/10/99
				Checked	Lizzy	08/10/99
				Drawn	Tina	08/10/99
				0.0 ± 0.35	0.00 ± 0.20	Angles ± 3'
					UNIT: mm	

Central Components Manufacturing
 440 Lincoln Blvd., Middlesex, New Jersey 08846
 Phone 732 469-5720 888 288-5152 Fax 732 469-1919

Part No.: **DS15-FR-34-B**
 Description: D-subminiature connector, 0.318" pitch, right angle, female, PCB mount 4 Prong Board Locks

PC Board Mounting Options

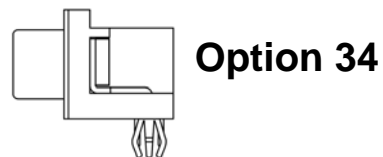


Option 1

Option 2

Option 3

Option 4



Option 34

RoHS compliant

Rev.	Description	Date	Approved	Drawing	Name	Date
				Approved	Howard	08/10/99
				Checked	Lizzy	08/10/99
				Drawn	Tina	08/10/99
				0.0 ± 0.35	0.00 ± 0.20	Angles ± 3'
					UNIT: mm	

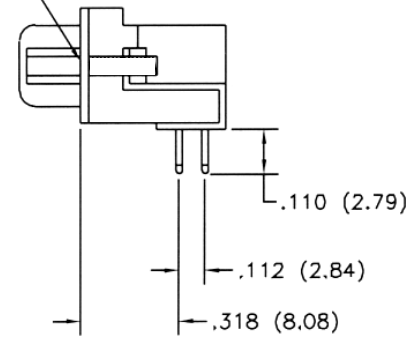
Central Components Manufacturing
440 Lincoln Blvd., Middlesex, New Jersey 08846
Phone 732 469-5720 888 288-5152 Fax 732 469-1919

Part No.: **DS15-FR-34-B**

Description: D-subminiature connector, 0.318" pitch, right angle, female, PCB mount 4 Prong Board Locks

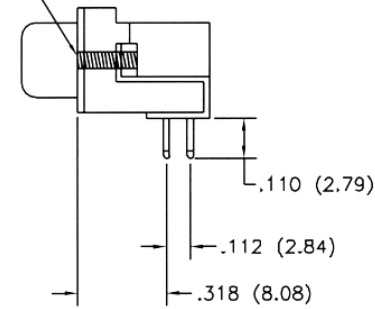
Mounting/Face Options

Fixed #4-40
Jackscrew



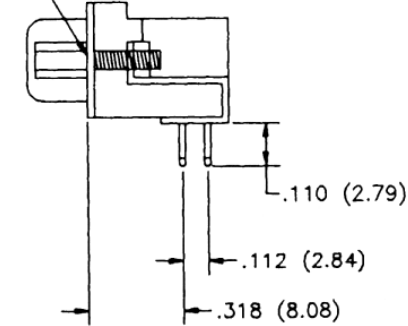
Option A

#4-40 Threaded
Insert



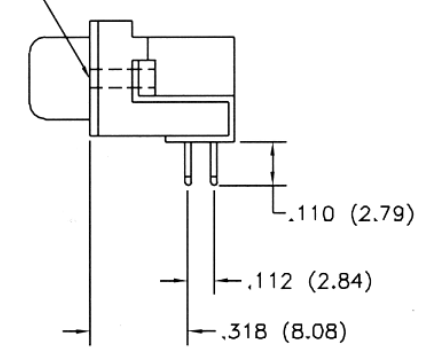
Option B

Removable #4-40
Jackscrew



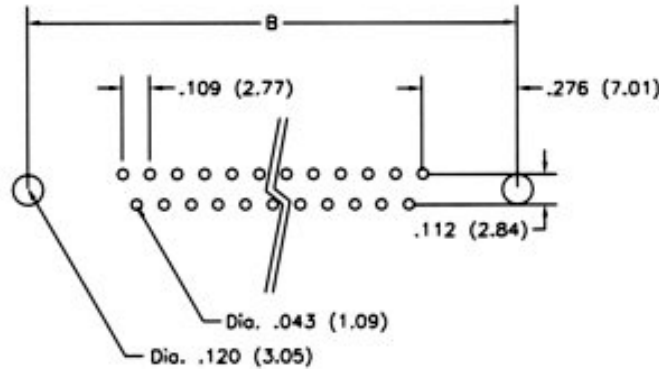
Option C

.120" Diameter
Thru-hole



Option D

PC Board Options



RoHS compliant

Rev.	Description	Date	Approved	Drawing	Name	Date
				Approved	Howard	08/10/99
				Checked	Lizzy	08/10/99
				Drawn	Tina	08/10/99
				0.0 ± 0.35	0.00 ± 0.20	Angles ± 3'
					UNIT: mm	

Central Components Manufacturing
440 Lincoln Blvd., Middlesex, New Jersey 08846
Phone 732 469-5720 888 288-5152 Fax 732 469-1919

Part No.: **DS15-FR-34-B**

Description: D-subminiature connector, 0.318" pitch, right angle, female, PCB mount 4 Prong Board Locks