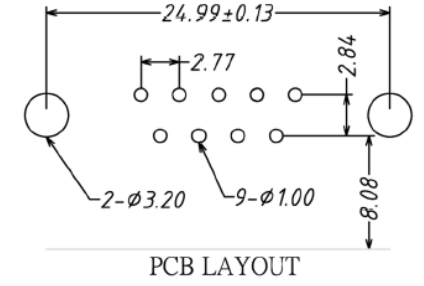
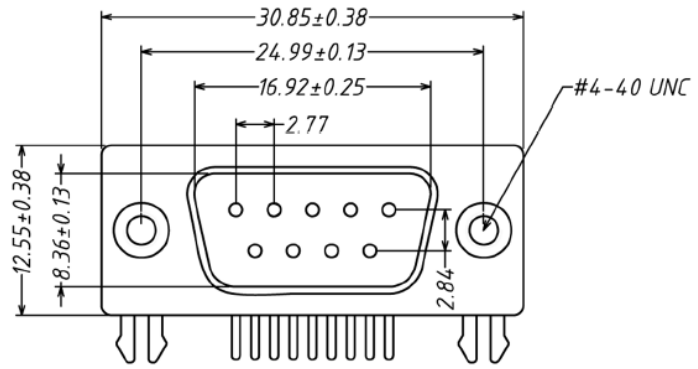
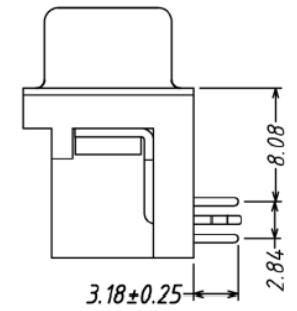
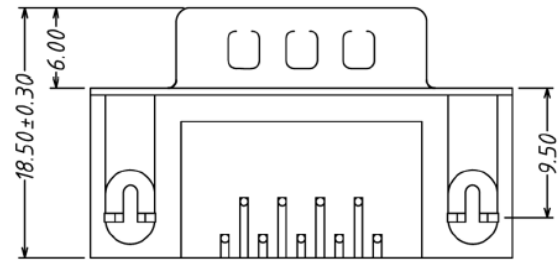


**SPECIFICATIONS**

Current rating: 1 amp max.  
 Contact material: Pin (male), brass  
 Socket (female), phosphor bronze  
 Contact plating: Gold over nickel  
 Contact resistance: 25 milliohms max.  
 Shell material: Steel  
 Shell plating: Tin or chromate  
 Insulation material: PBT +30% glass fiber, UL94V-0  
 Insulation resistance: 5,000 megohms min.  
 Withstanding: 1,000VAC for 1 min. RMS  
 Insertion force: 300gf max.  
 Separation force: 25gf min.  
 Operating temperature: -55°C to +105°



Dimensions			
Pos.	A	B	C
9	.666	.984	1.213
15	.994	1.312	1.541
25	4.534	1.852	2.088
37	2.182	2.500	2.729

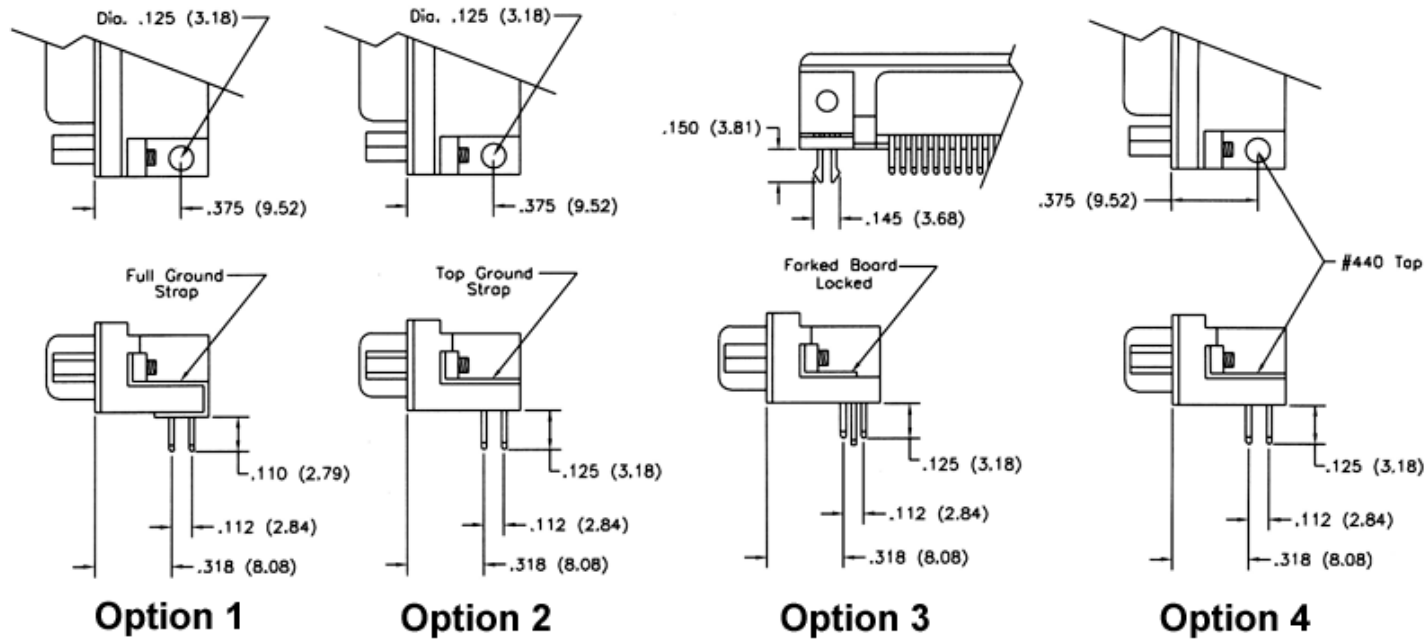


Series	Gender	PCB Mounting Options	Mounting Face Options	Special Options
DSXX	XX	X	X	XX
09=9 positions 15=15 positions 25=25 positions 37=37 positions 50=50 positions	MR=Male/plug FR=Female/socket	1=Wraparound ground straps with screw holes 2=Top side only ground straps with #4-40 threaded screw holes 3=Forked board locks 4=Top side only ground straps with screw holes	A=#4-40 fixed jack screws B=#4-40 threaded inserts C=#4-40 threaded inserts with jack screws installed D=.120" non-threaded through holes	[blank]=None 30GD=30μ" gold plating FF= Ferrite filter installed

**RoHS compliant**

Rev.	Description	Date	Approved	Drawing	Name	Date
				Approved	Howard	08/10/99
				Checked	Lizzy	08/10/99
				Drawn	Tina	08/10/99
				0.0 ± 0.35	0.00 ± 0.20	Angles ± 3'
				UNIT: mm		
						<b>Central Components Manufacturing</b> 440 Lincoln Blvd., Middlesex, New Jersey 08846 Phone 732 469-5720 888 288-5152 Fax 732 469-1919
						Part No.: <b>DS09-MR-3-B</b>
						Description: D-subminiature connector, 0.318" pitch, right angle, male, PCB mount

## PC Board Mounting Options



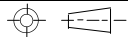

**Option 1**

**Option 2**

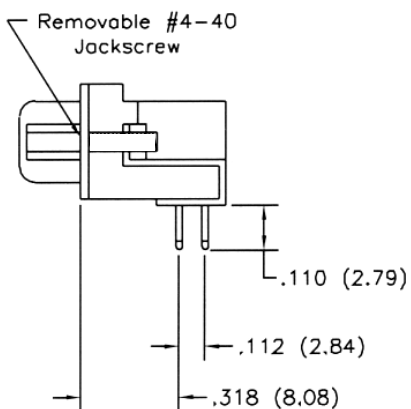
**Option 3**

**Option 4**

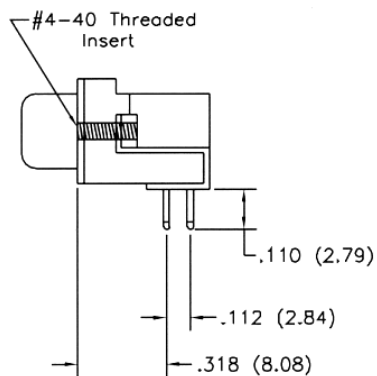
RoHS compliant

Rev.	Description	Date	Approved	Drawing	Name	Date
				Approved	Howard	08/10/99
				Checked	Lizzy	08/10/99
				Drawn	Tina	08/10/99
				0.0 ± 0.35	0.00 ± 0.20	Angles ± 3'
					UNIT: mm	
 <b>Central Components Manufacturing</b> 440 Lincoln Blvd., Middlesex, New Jersey 08846 Phone 732 469-5720 888 288-5152 Fax 732 469-1919						
Part No.:						<b>DS09-MR-3-B</b>
Description:						D-subminiature connector, 0.318" pitch, right angle, male, PCB mount

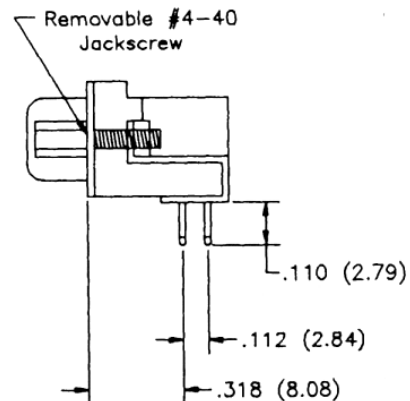
### Mounting/Face Options



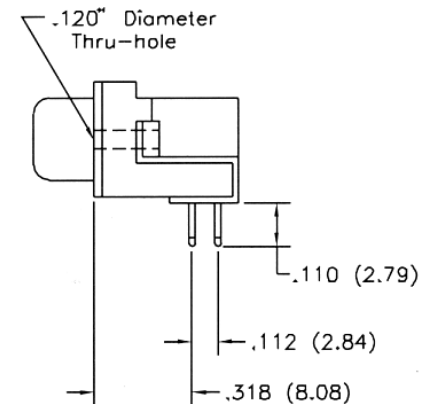
**Option A**



**Option B**

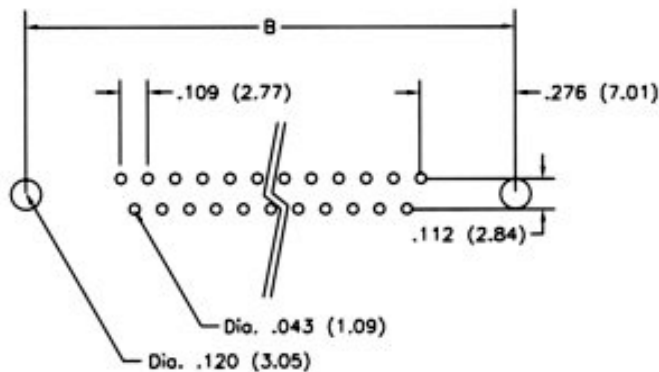


**Option C**



**Option D**

### PC Board Options



RoHS compliant

Rev.	Description	Date	Approved	Drawing	Name	Date
				Approved	Howard	08/10/99
				Checked	Lizzy	08/10/99
				Drawn	Tina	08/10/99
				0.0 ± 0.35	0.00 ± 0.20	Angles ± 3'
					UNIT: mm	

**Central Components Manufacturing**  
440 Lincoln Blvd., Middlesex, New Jersey 08846  
Phone 732 469-5720 888 288-5152 Fax 732 469-1919

Part No.: **DS09-MR-3-B**

Description: D-subminiature connector, 0.318" pitch, right angle, male, PCB mount