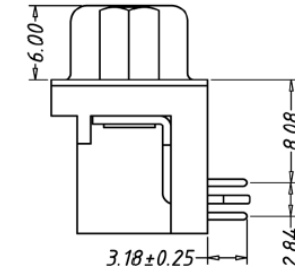
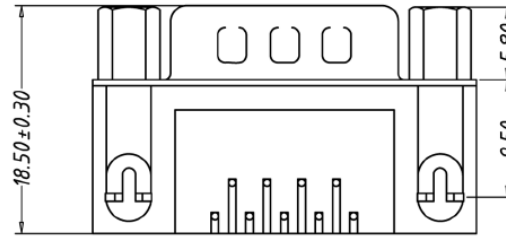
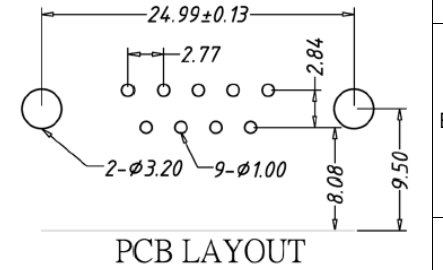
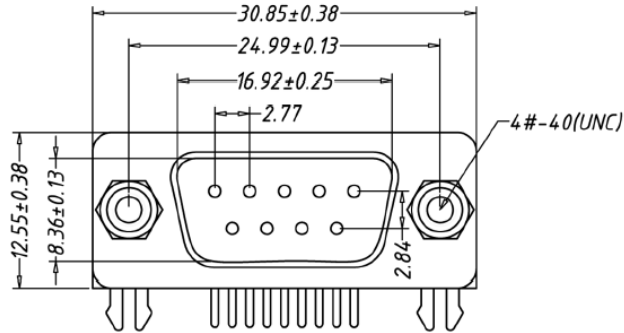


SPECIFICATIONS

Current rating: 1 amp max.
 Contact material: Pin (male), brass
 Socket (female), phosphor bronze
 Contact plating: Gold over nickel
 Contact resistance: 25 milliohms max.
 Shell material: Steel
 Shell plating: Tin or chromate
 Insulation material: PBT +30% glass fiber, UL94V-0
 Insulation resistance: 5,000 megohms min.
 Withstanding: 1,000VAC for 1 min. RMS
 Insertion force: 300gf max.
 Separation force: 25gf min.
 Operating temperature: -55°C to +105°



Dimensions			
Pos.	A	B	C
9	.666	.984	1.213
15	.994	1.312	1.541
25	4.534	1.852	2.088
37	2.182	2.500	2.729

Series	Gender	PCB Mounting Options	Mounting/Face Options	Special Options
DSXX	XX	X	X	XX
09=9 positions 15=15 positions 25=25 positions 37=37 positions 50=50 positions	MR=Male/plug FR=Female/ socket	1=Wraparound ground straps with screw holes 2=Top side only ground straps with #4-40 threaded screw holes 3=Forked board locks 4=Top side only ground straps with screw holes	A=#4-40 fixed jack screws B=#4-40 threaded inserts C=#4-40 threaded inserts with jackscrews installed D=.120" non-threaded through holes	[blank]=None 30GD=30µ" gold plating FF=Ferrite filter installed

RoHS compliant

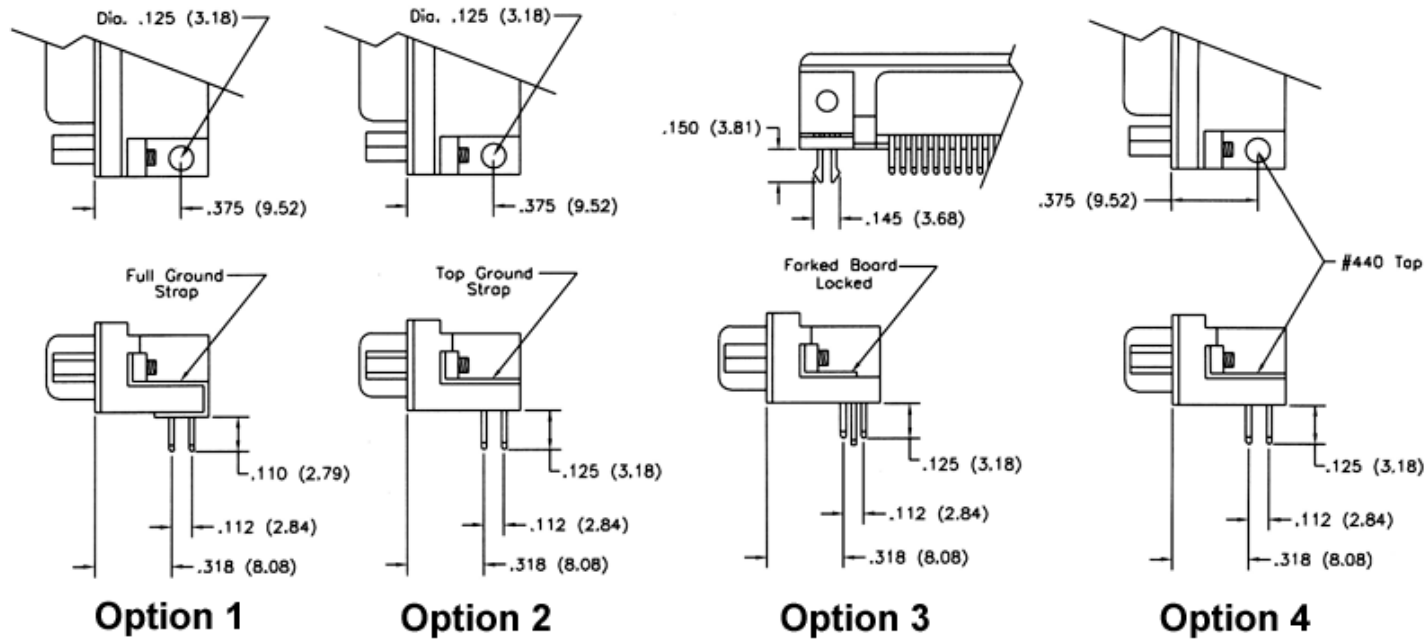
Rev.	Description	Date	Approved	Drawing	Name	Date
				Approved	Howard	08/10/99
				Checked	Lizzy	08/10/99
				Drawn	Tina	08/10/99
				0.0 ± 0.35	0.00 ± 0.20	Angles ± 3'
				UNIT: mm		

Central Components Manufacturing
 440 Lincoln Blvd., Middlesex, New Jersey 08846
 Phone 732 469-5720 888 288-5152 Fax 732 469-1919

Part No.: **DS09-MR-3-A**

Description: D-subminiature connector, 0.318" pitch, right angle, male, PCB mount

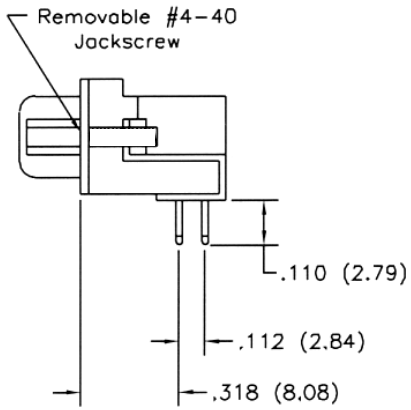
PC Board Mounting Options



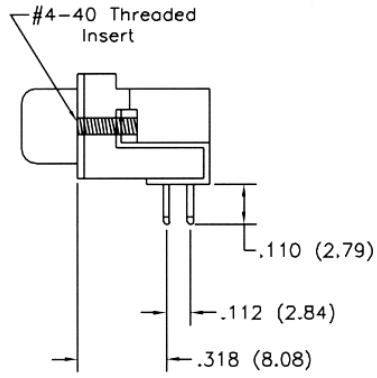
RoHS compliant

Rev.	Description	Date	Approved	Drawing	Name	Date	Central Components Manufacturing 440 Lincoln Blvd., Middlesex, New Jersey 08846 Phone 732 469-5720 888 288-5152 Fax 732 469-1919
				Approved	Howard	08/10/99	
				Checked	Lizzy	08/10/99	
				Drawn	Tina	08/10/99	
				0.0 ± 0.35	0.00 ± 0.20	Angles ± 3'	Part No.: DS09-MR-3-A
				UNIT: mm	Description: D-subminiature connector, 0.318" pitch, right angle, male, PCB mount		

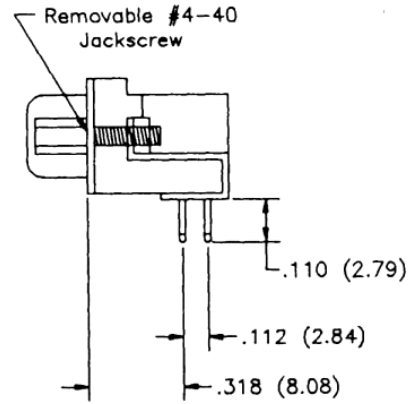
Mounting/Face Options



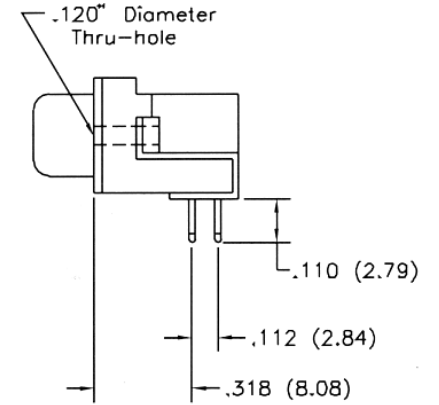
Option A



Option B

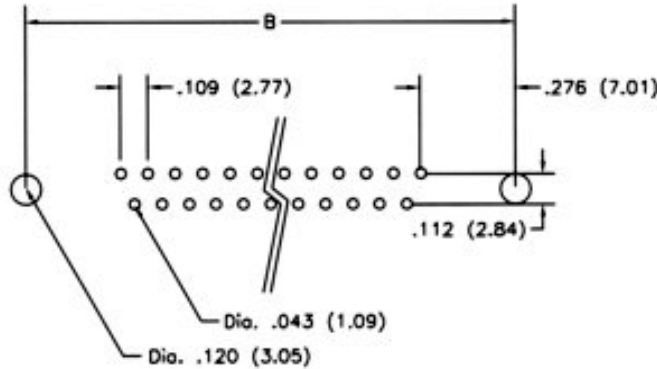


Option C



Option D

PC Board Options



RoHS compliant

Rev.	Description	Date	Approved	Drawing	Name	Date
				Approved	Howard	08/10/99
				Checked	Lizzy	08/10/99
				Drawn	Tina	08/10/99
				0.0 ± 0.35	0.00 ± 0.20	Angles ± 3'
					UNIT: mm	

Central Components Manufacturing
440 Lincoln Blvd., Middlesex, New Jersey 08846
Phone 732 469-5720 888 288-5152 Fax 732 469-1919

Part No.: **DS09-MR-3-A**

Description: D-subminiature connector, 0.318" pitch, right angle, male, PCB mount