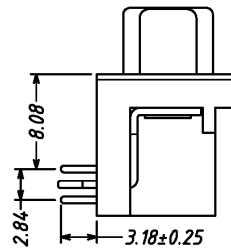
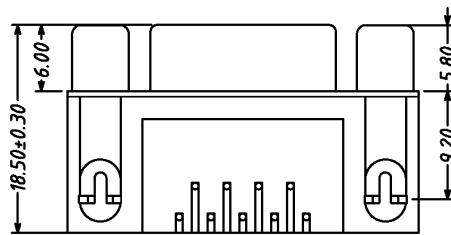


SPECIFICATIONS:

Current Rating:	3 Amps
Contact Material:	Brass
Contact Resistance:	25 MilliOhms Max.
Insulator Material:	PBT +30% UL94V-0
Insulation Resistance:	5000 Megohms Min.
Shell Material:	Shell
Insertion Force:	300gf Max
Separation Force:	25gf min
Withstanding:	AC 1000/60ses r.m.s.
Operating Temp:	-55°C ~ +105°C



Series	Type	PCB Mounting Options	Mounting/Face Options	Special Options
DSXX	XR	X (See diagrams pg. 2)	X (See diagrams pg. 3)	XX
D-sub connector XX=Sockets 09, 15, 25, 37	MR=Male FR=Female	1=Wraparound ground straps with screw holes 2=Top side only ground straps with #4-40 threaded screw holes 3=Forked board locks 4=Top side only ground straps with screw holes	A=#4-40 fixed hex jack screws AR=#4-40 Fixed Round Jack Screws B=#4-40 threaded inserts C=#4-40 threaded inserts w/ jack-screws installed D=.120" non-threaded through holes	[blank]=None XXGD= gold plate XX=Flash if blank, 3,5,10,15 FF=Ferrite filter installed

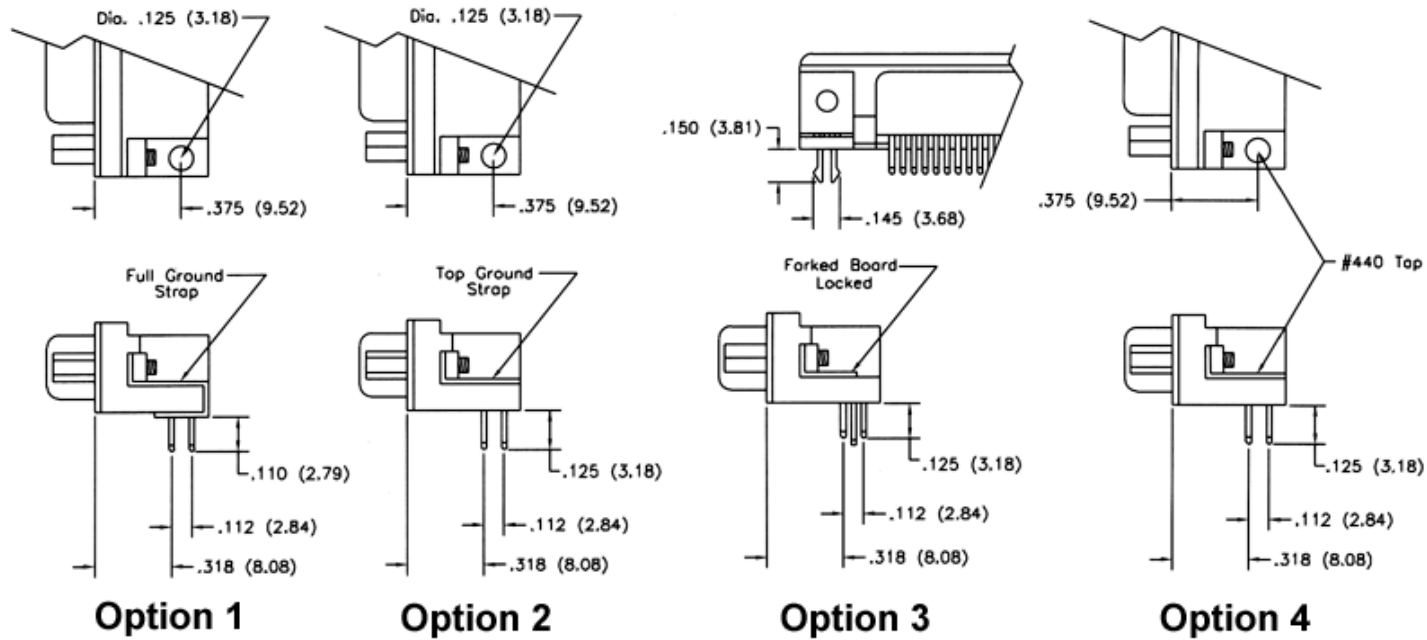
RoHS compliant

Rev.	Description	Date	Approved	Drawing	Name	Date
A	PNT	12/06/10	Greg	Approved	Howard	06/26/05
				Checked	Lizzy	06/26/05
				Drawn	Tina	06/26/05
				0.0 ± 0.35	0.00 ± 0.20	Angles ± 3'
				UNIT: mm		

Central Components Manufacturing
 440 Lincoln Blvd., Middlesex, New Jersey 08846
 Phone 732 469-5720 888 288-5152 Fax 732 469-1919

Part No.: **DS09-FR-3-AR-XX**
 Description: D-subminiature connector, right angle female, Jack Screws

PC Board Mounting Options




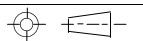
Option 1

Option 2

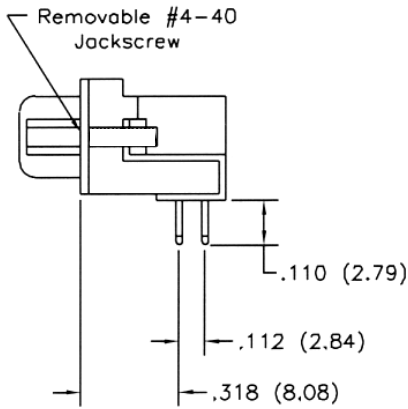
Option 3

Option 4

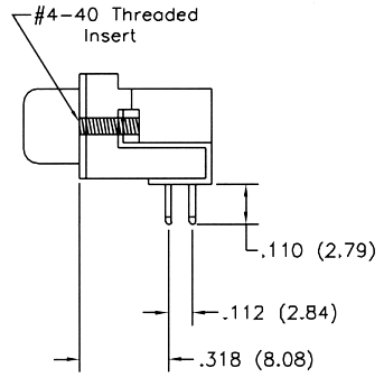
RoHS compliant

Rev.	Description	Date	Approved	Drawing	Name	Date	 Central Components Manufacturing 440 Lincoln Blvd., Middlesex, New Jersey 08846 Phone 732 469-5720 888 288-5152 Fax 732 469-1919
A	PNT	12/06/10	Greg	Approved	Howard	06/26/05	
				Checked	Lizzy	06/26/05	
				Drawn	Tina	06/26/05	
				0.0 ± 0.35 0.00 ± 0.20 Angles ± 3'			Part No.: DS09-FR-3-AR-XX
				 UNIT: mm			Description: D-subminiature connector, right angle female, Jack Screws

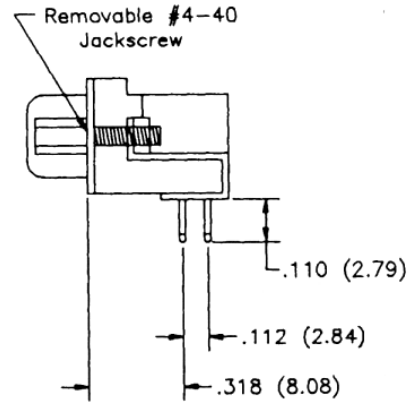
Mounting/Face Options



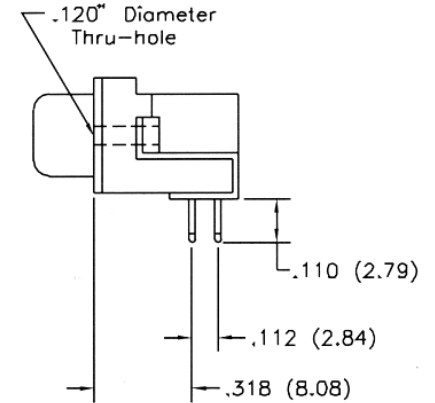
Option A



Option B

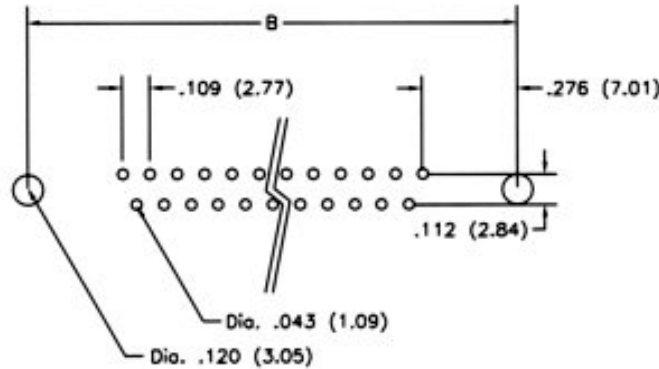


Option C


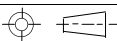


Option D

PC Board Options



RoHS compliant

Rev.	Description	Date	Approved	Drawing	Name	Date	 Central Components Manufacturing 440 Lincoln Blvd., Middlesex, New Jersey 08846 Phone 732 469-5720 888 288-5152 Fax 732 469-1919
A	PNT	12/06/10	Greg	Approved	Howard	06/26/05	
				Checked	Lizzy	06/26/05	
				Drawn	Tina	06/26/05	
				0.0 ± 0.35 0.00 ± 0.20 Angles ± 3'			Part No.: DS09-FR-3-AR-XX Description: D-subminiature connector, right angle female, Jack Screws
				 UNIT: mm			