

Series	Gender	Position	Contact Plating	Shell Plating	Options
DPC	XXX	20		XX	XX
Display Port Connector	RMS=RA, Male, SMT	20=20 Positions	GDXX=Gold XX=Flash if Blank, 15, 30 u"	G=Gold N=Nickel	Blank=None CP=Centering Peg RB=Rib TS=Top Spring

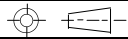
RoHS compliant

Rev.	Description	Date	Approved	Drawing	Name	Date
A	PNT	04/13/10	Tom	Approved	Howard	06/07/07
				Checked	Lizzy	06/07/07
				Drawn	Tina	06/07/07
				0.0 ± 0.35	0.00 ± 0.20	Angles ± 3'

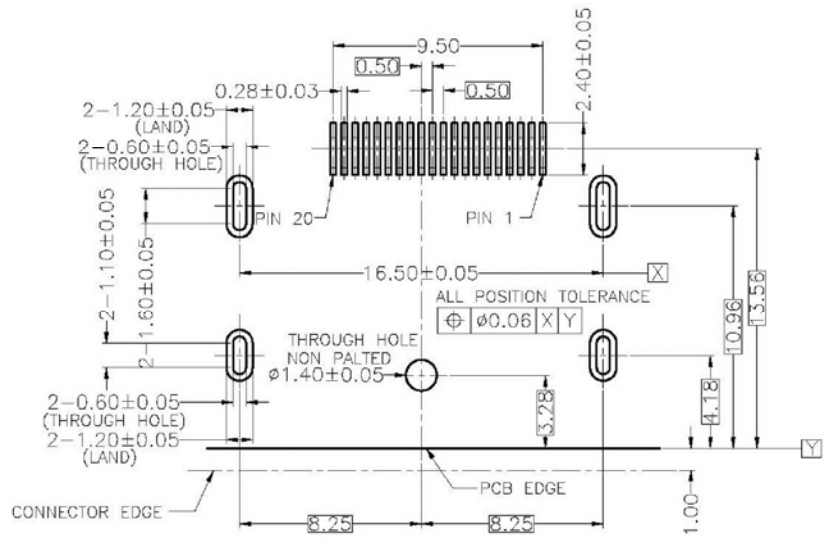
Central Components Manufacturing
 440 Lincoln Blvd., Middlesex, New Jersey 08846
 Phone 732 469-5720 888 288-5152 Fax 732 469-1919

Part No.: **DPC-RMS-20-XX-X-CP-RB-TS**

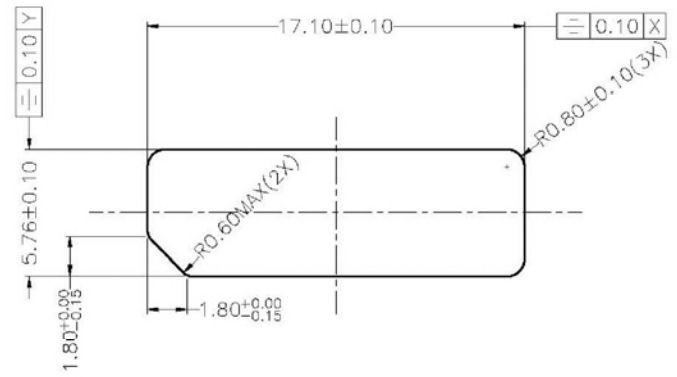
Description: Display Port Receptacle SMT Type



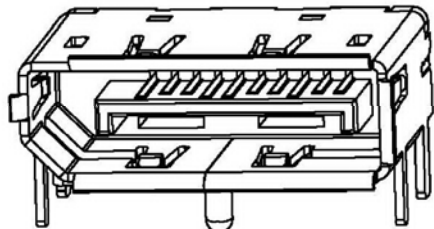
UNIT: mm



RECOMMENDED PCB LAYOUT (THICKNESS=1.6±0.15mm)



REFERENCE PANEL CUT OUT DIMENSIONS



RoHS compliant

Rev.	Description	Date	Approved	Drawing	Name	Date
A	PNT	04/13/10	Tom	Approved	Howard	06/07/07
				Checked	Lizzy	06/07/07
				Drawn	Tina	06/07/07
				0.0 ± 0.35	0.00 ± 0.20	Angles ± 3'
				UNIT: mm		

Central Components Manufacturing
 440 Lincoln Blvd., Middlesex, New Jersey 08846
 Phone 732 469-5720 888 288-5152 Fax 732 469-1919

Part No.: **DPC-RMS-20-XX-X-CP-RB-TS**

Description: Display Port Receptacle SMT Type