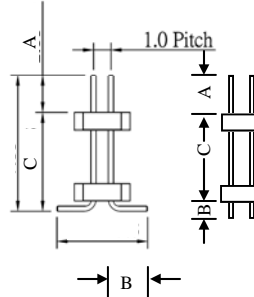
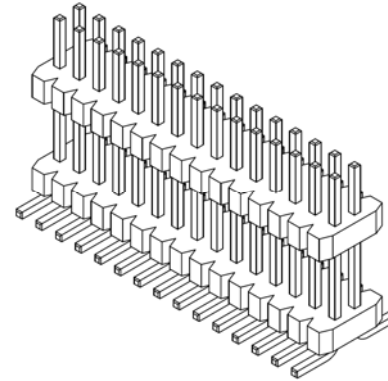


$A = 1.0 * (\text{NO of Positions} - 1)$
 $B = A + 1.0 \pm 0.3$

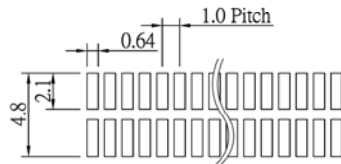


$E = A + B + C$



SPECIFICATIONS

Contact Material: Brass
 Insulator Material: LCP



P.C.Board Layout

RoHS compliant

Series	Rows	Positions	Pin Length	Plating	Options
DDPH	X	XX	A/B/E	GDXX	XX
1.00mm Pitch Dual Insulator Pin Header	1=Single 2=Dual	Single: 1-40 Dual: 2-80	See Diagram	GDXX=Gold XX=Flash if blank 3,5,10,15,30u"	Blank=None SM=Surface Mount

Rev.	Description	Date	Approved	Drawing	Name	Date
				Approved	Howard	12/03/10
				Checked	Lizzy	12/03/10
				Drawn	Tina	12/03/10
				0.0 ± 0.35	0.00 ± 0.20	Angles ± 3°
				UNIT: mm		

Central Components Manufacturing
 440 Lincoln Blvd., Middlesex, New Jersey 08846
 Phone 732 469-5720 888 288-5152 Fax 732 469-1919

Part No.: **DDPH-2-SM-16-(A/B/E)-GD**

Description: 1.00mm Pitch Dual Insulator Pin Header

