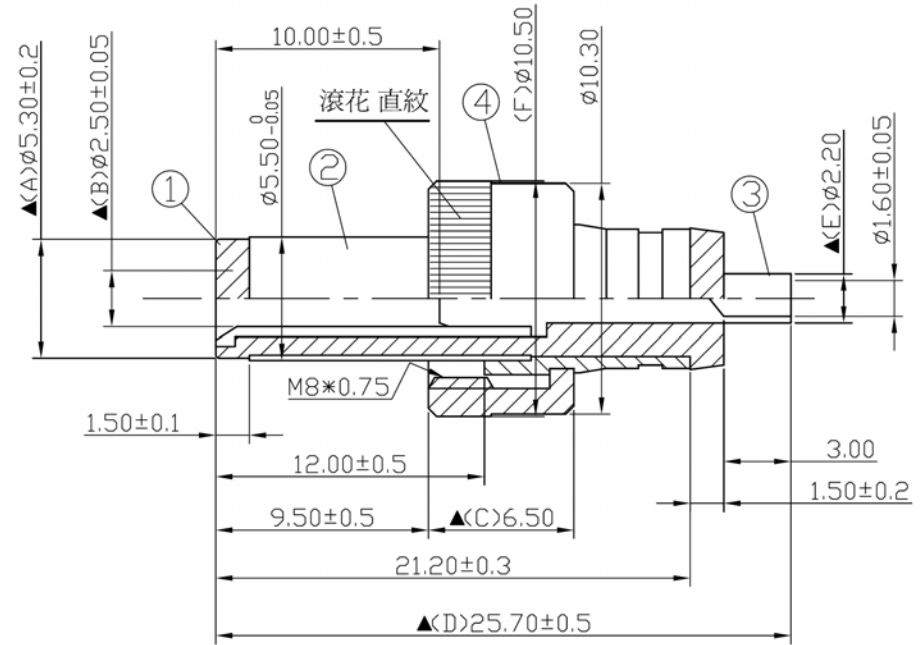


SPECIFICATIONS

Contact Resistance: 30mΩ max
 Insulation Resistance: 100MΩ min.at DC 500V
 Withstanding: AC 500V for one minute



Item	Name	Material	Finish
1	Housing	POM	Black
2	Body	Brass	Nickel
3	Ground Terminal	Brass	Nickel
4	UNT	Brass	Nickel

Series	Type	Hole Size	Handle
DCP	D457	B	N
DC Plug	D457 Type	A=2.10 B=2.50	N=None P=Premolded

RoHS compliant

Rev.	Description	Date	Approved	Drawing	Name	Date
				Approved	Howard	03/03/09
				Checked	Lizzy	03/03/09
				Drawn	Tina	03/03/09
				0.0 ± 0.35	0.00 ± 0.20	Angles ± 3'
				UNIT: mm		

Central Components Manufacturing
 440 Lincoln Blvd., Middlesex, New Jersey 08846
 Phone 732 469-5720 888 288-5152 Fax 732 469-1919

Part No.: **DCP-D457-B-N**

Description DC Plug