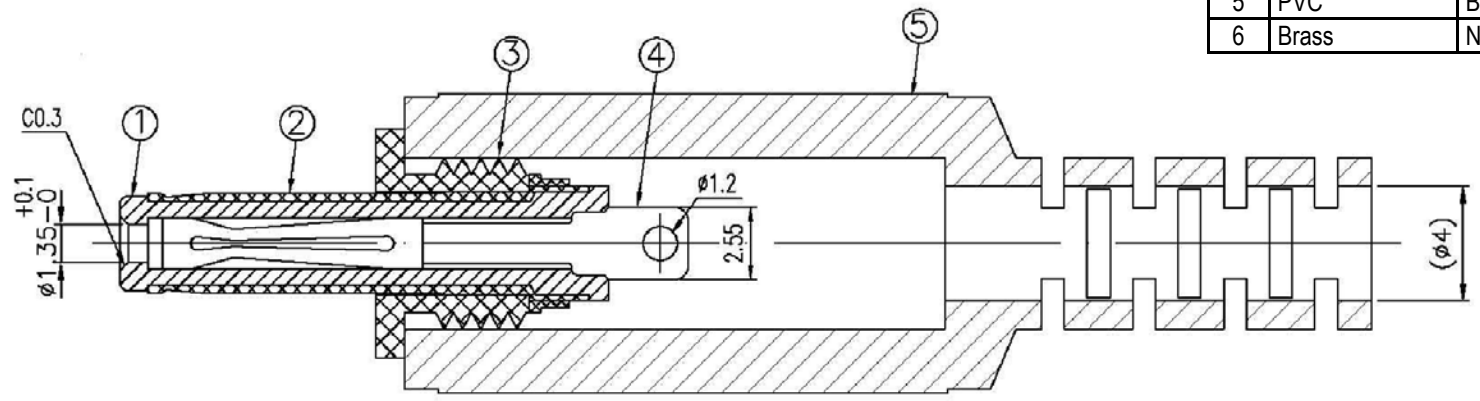


Item	Material	Finish
1	POM	Black
2	Brass	Nickel
3	Brass	Nickel
4	Phosphor bronze	Nickel
5	PVC	Black
6	Brass	Nickel



RoHS compliant

Rev.	Description	Date	Approved	Drawing	Name	Date
				Approved	Howard	08/10/99
				Checked	Lizzy	08/10/99
				Drawn	Tina	08/10/99
				0.0 ± 0.35	0.00 ± 0.20	Angles ± 3'
				UNIT: mm		

Central Components Manufacturing
 440 Lincoln Blvd., Middlesex, New Jersey 08846
 Phone 732 469-5720 888 288-5152 Fax 732 469-1919

Part No.: **DCP-D35135**

Description: Assembly type DC plug, ø3.5 x ø1.35