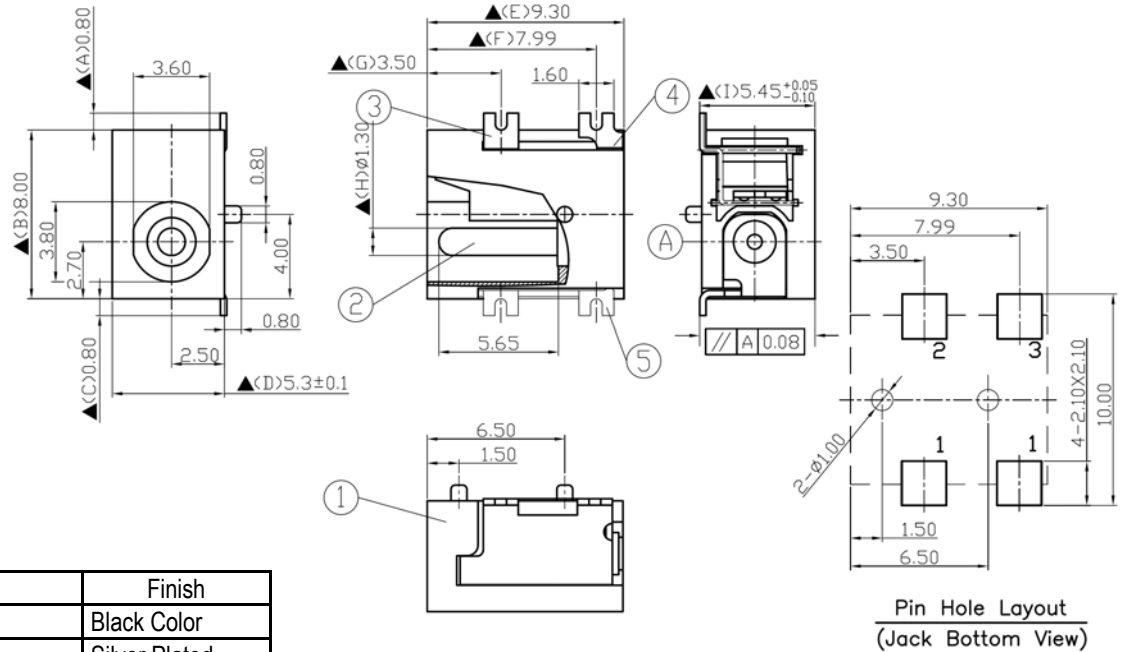
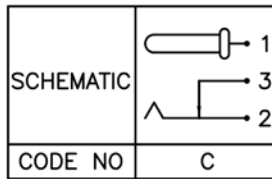


SPECIFICATIONS

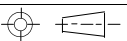
Contact Resistance: 30mΩ max.
 Current Rating: Max 0.5A, 12VDC
 Insulation Resistance: 100MΩ min. at DC500V
 Withstanding: AC 500V for 1 minute



Item	Name	Material	Finish
1	Housing	PA9T	Black Color
2	Pin ($\phi 1.3$)	Brass	Silver Plated
3	Pin Terminal	0.3T Bronze	Silver Plated
4	Break Terminal	0.2T Bronze	Silver Plated
5	Spring	0.3T Phosphor Bronze	Silver Plated

Series	Style	Pin Diameter	Schematic	Plating
DCJ	D473	D	C	S
DC power jack	Side entry surface mount	D=1.30mm	See Chart	S=Silver

RoHS compliant

Rev.	Description	Date	Approved	Drawing	Name	Date
				Approved	Howard	01/15/11
				Checked	Lizzy	01/15/11
				Drawn	Tina	01/15/11
				0.0 ± 0.35	0.00 ± 0.20	Angles ± 3'
					UNIT: mm	

Central Components Manufacturing
 440 Lincoln Blvd., Middlesex, New Jersey 08846
 Phone 732 469-5720 888 288-5152 Fax 732 469-1919

Part No.: **DCJ-D473-D-C-S**

Description: DC power jack