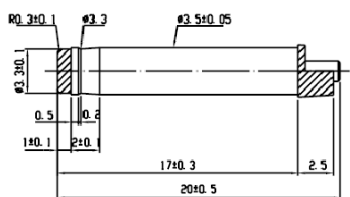
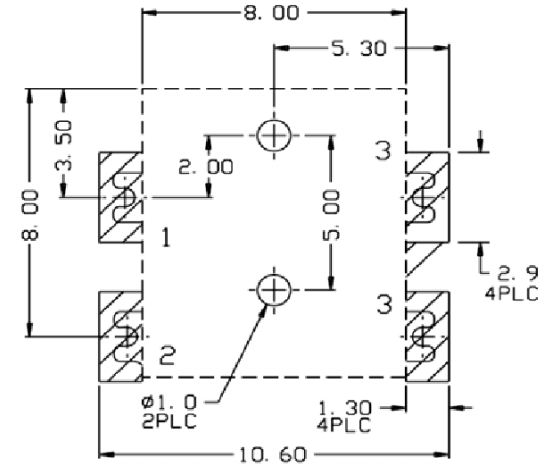
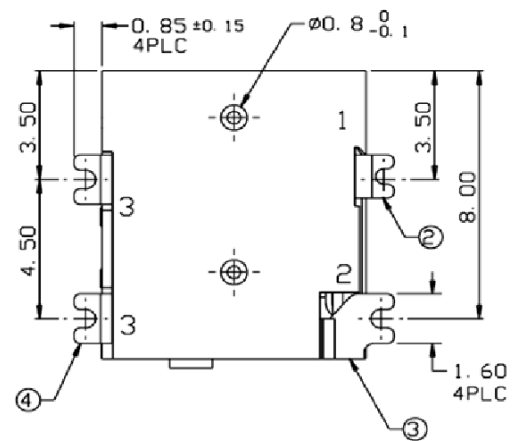


SCHEMATIC	PIN#	PART NO.
	1. 0mm	X=A
	1. 3mm	X=B



SCALE : 3:1



**SPECIFICATIONS**  
 Pin contact material: Brass  
 Shunt terminal material: Brass  
 SPG contact material: Beryllium copper  
 Housing material: LCP

Series	Type	Style	Options
DCJ	AJ232	C	TN
DC jack	Type AJ232	Style C	TN=Tin

**RoHS compliant**

Rev.	Description	Date	Approved	Drawing	Name	Date
				Approved	Howard	08/10/99
				Checked	Lizzy	08/10/99
				Drawn	Tina	08/10/99
				0.0 ± 0.35	0.00 ± 0.20	Angles ± 3'
						UNIT: mm

**Central Components Manufacturing**  
 440 Lincoln Blvd., Middlesex, New Jersey 08846  
 Phone 732 469-5720 888 288-5152 Fax 732 469-1919

Part No.: **DCJ-AJ232-C-TN**

Description: DC power jack