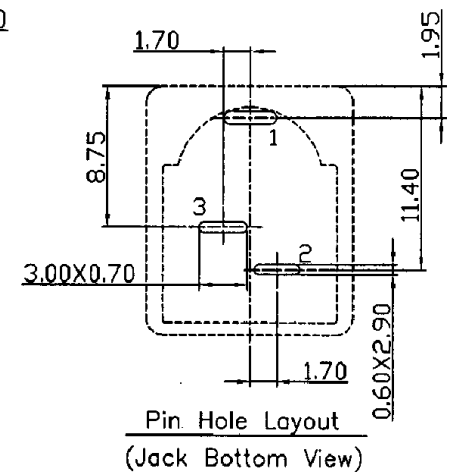
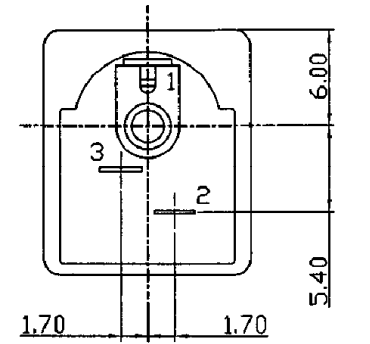
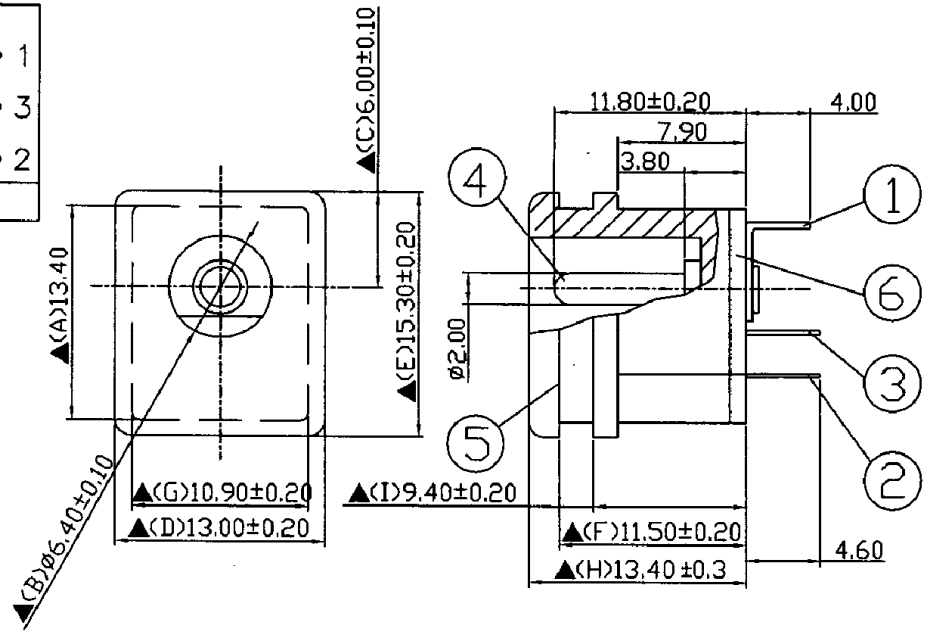


Pin diameter options:
A=2.00mm
B=2.50mm



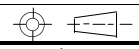
SPECIFICATIONS

Current rating: 2 amps
 Contact resistance: 30 milliohms max.
 Insulation resistance: 100 megohms min.
 Withstanding: 500VAC for 1 min.
 Insert./extract. force: 0.3 to 3.0kgs. initial
 0.2 to 3.0kgs. after life test
 Life test: 5,000 cycles unloading
 (20-30 cycles/min.)

Item	Name	Material	Finish
1	Pin terminal	Brass 0.4T	Silver
2	Sleeve spring	Phosphor bronze 0.2T	Silver
3	Break terminal	Brass 0.3T	Silver
4	Pin (ø2.0)	Copper	Nickel
5	Housing	POM	Black
6	Insulator	Bakelite 1.0T	Natural

RoHS compliant

Rev.	Description	Date	Approved	Drawing	Name	Date
				Approved	Howard	08/10/99
				Checked	Lizzy	08/10/99
				Drawn	Tina	08/10/99
				0.0 ± 0.35	0.00 ± 0.20	Angles ± 3'



UNIT: mm

Central Components Manufacturing
 440 Lincoln Blvd., Middlesex, New Jersey 08846
 Phone 732 469-5720 888 288-5152 Fax 732 469-1919

Part No.: **DCJ-525C-A**

Description: DC power jack