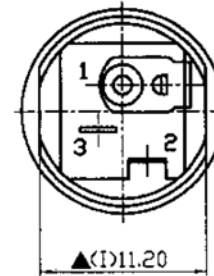
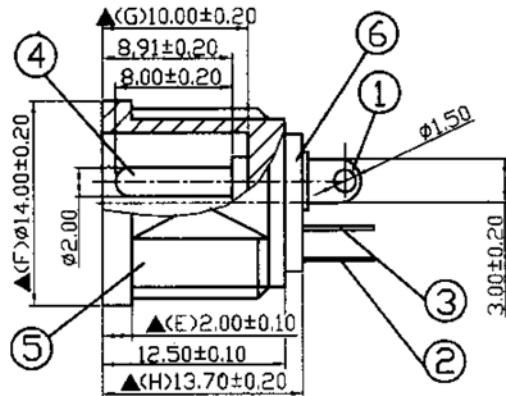
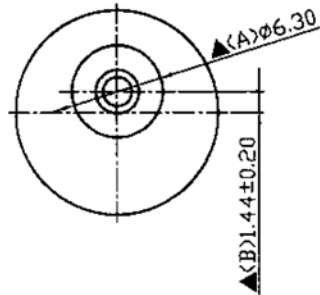


NUT



Item	Name	Material	Finish
1	Pin Terminal	0.4T Brass	Silver
2	Sleeve Spring	0.2T Phosphor Bronze	Silver
3	Break Terminal	0.3T Brass	Silver
4	Pin (2.0Ø)	Copper	Nickel
5	Housing	PBT	Black
6	Insulator	1.2T Bakelite	Natural
7	Nut	2.3T Brass	Nickel

SPECIFICATIONS

Contact Resistance: 30mΩ max.
 Current Rating: Max 2.0A, 16VDC
 Insulation Resistance: 100MΩ min @ DC 500V
 Withstanding: AC 500V for 1 minute

Series	Type	Pin	Schematic	Terminal Plating	Housing Color	Options
DCJ	523	X	C	X	XX	XX
CD Power Jack	Circular Panel Mount	A=2.0mm B=2.5mm	C=Normally Closed	S=Silver (std) T=Tin	GY=Gray Others available	Blank=None HW=With Hardware

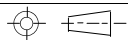
RoHS compliant

Rev.	Description	Date	Approved	Drawing	Name	Date
				Approved	Howard	01/19/11
				Checked	Lizzy	01/19/11
				Drawn	Tina	01/19/11
				0.0 ± 0.35	0.00 ± 0.20	Angles ± 3'

Central Components Manufacturing
 440 Lincoln Blvd., Middlesex, New Jersey 08846
 Phone 732 469-5720 888 288-5152 Fax 732 469-1919

Part No.: **DCJ-523-X-C-X-XX-XX**

Description: DC Power Jack



UNIT: mm