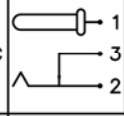
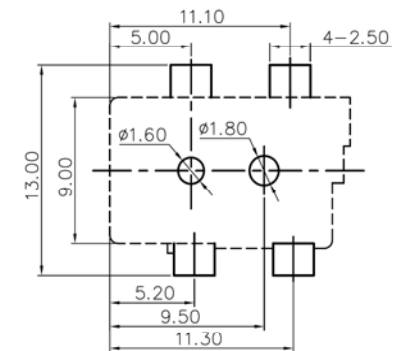
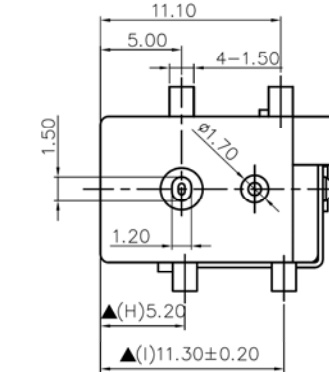
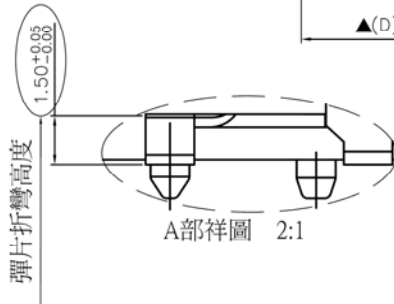
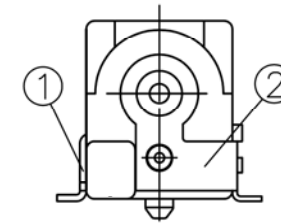
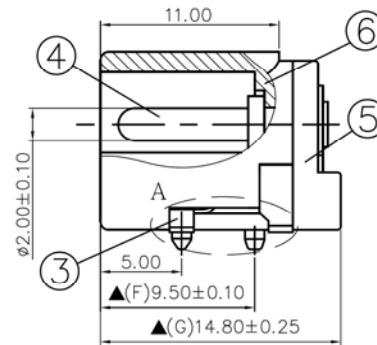
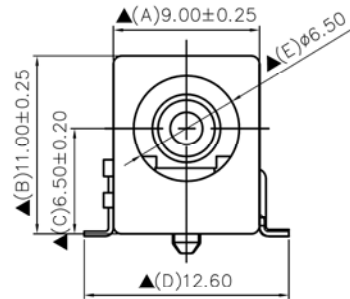


SCHEMATIC	
MODEL NO	C

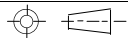



Item	Name	Material	Finish
1	Break Terminal	0.4T Bronze	Silver Plated
2	Pin Terminal	0.3T Bronze	Silver Plated
3	Sleeve Spring	0.3T Phosphor Bronze	Silver Plated
4	Pin (2.0Ø)	Copper	Nickel Plating
5	Cover	PA9T	Black Color
6	Housing	PA9T	Black Color

**SPECIFICATIONS**

Contact Resistance: 30mΩ max  
 Current Rating: Max 5.0A, 24VDC  
 Insulation Resistance: 100MΩ min. ad DC 500V  
 Withstanding: AC 500V for on minute

RoHS compliant

Rev.	Description	Date	Approved	Drawing	Name	Date
				Approved	Howard	07/13/12
				Checked	Lizzy	07/13/12
				Drawn	Tina	07/13/12
				0.0 ± 0.35	0.00 ± 0.20	Angles ± 3'
					UNIT: mm	



**Central Components Manufacturing**  
 440 Lincoln Blvd., Middlesex, New Jersey 08846  
 Phone 732 469-5720 888 288-5152 Fax 732 469-1919

Part No.: **DCJ-480-C-C-S-B**

Description: DC Power Jack Surface Mount