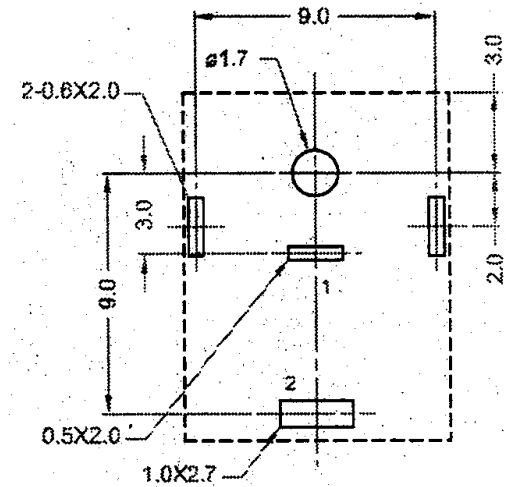
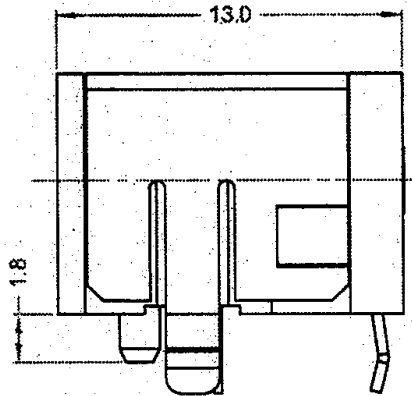
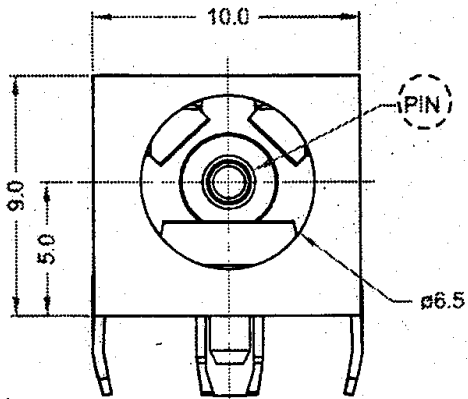


SPECIFICATIONS

Center pin material: Copper
 Spring terminal material: PBS
 Shunt terminal material: Brass
 Pin terminal material: Brass
 Housing material: LCP



PC Board Layout
(Bottom View)

Series	Style	Pin Size	Plating
DCJ	241	X	XX
DC jack	Style 241	B=2.5 A=2.0 E=1.65	TN=Tin

RoHS compliant

Rev.	Description	Date	Approved	Drawing	Name	Date
				Approved	Howard	08/10/99
				Checked	Lizzy	08/10/99
				Drawn	Tina	08/10/99
				0.0 ± 0.35	0.00 ± 0.20	Angles ± 3'
				UNIT: mm		

Central Components Manufacturing
 440 Lincoln Blvd., Middlesex, New Jersey 08846
 Phone 732 469-5720 888 288-5152 Fax 732 469-1919

Part No.: **DCJ-241-X-TN**

Description: DC jack