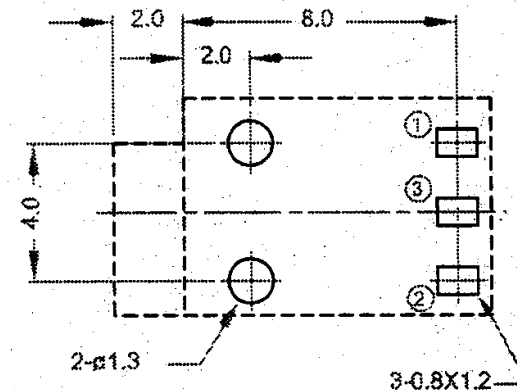
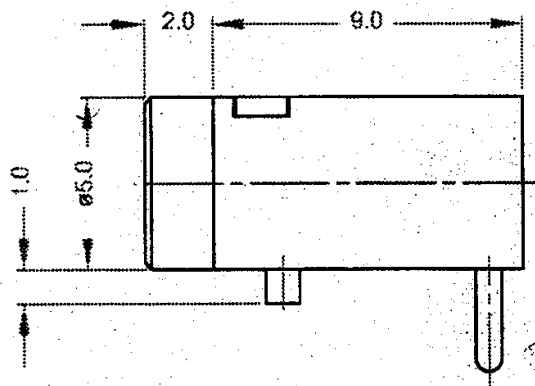
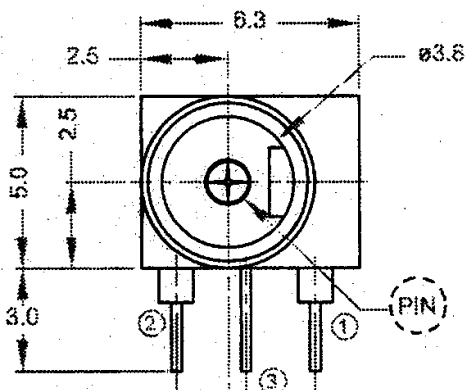


**SPECIFICATIONS**

Center pin material: Copper  
 Spring terminal material: PBS  
 Shunt terminal material: Brass  
 Pin terminal material: Brass  
 Housing material: LCP



PC Board Layout  
(Bottom View)

Series	Style	Pin Size	Plating
DCJ	225B	X	XX
DC jack	Type 225B	D=1.3 C=1.0	TN=Tin

RoHS compliant

Rev.	Description	Date	Approved	Drawing	Name	Date
				Approved	Howard	08/10/99
				Checked	Lizzy	08/10/99
				Drawn	Tina	08/10/99
				0.0 ± 0.35	0.00 ± 0.20	Angles ± 3'
				UNIT: mm		

**Central Components Manufacturing**  
 440 Lincoln Blvd., Middlesex, New Jersey 08846  
 Phone 732 469-5720 888 288-5152 Fax 732 469-1919

Part No.: **DCJ-225B-X-TN**

Description: DC jack