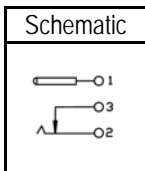
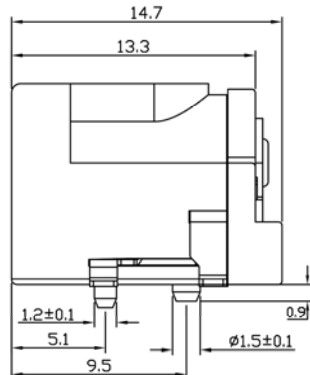
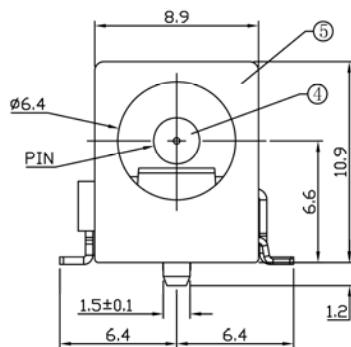


T:1.6 Dimensions of PC board holes
Tolerance : ±0.05(Printed-top view)



Item	Item	Material	Finish
1	Curve Piece	C2680 t=0.40	Sn Plated
2	Spring	C5191 t=0.30	Sn Plated
3	Curve Piece	C2680 t=0.40	Sn Plated
4	Pin	H59 (copper alloy)	Cu/Sn Plated
5	Housing	PA9T	UL-94V-0 Black
6	Cover	PA9T	UL-94V-0 Black

Series	Type	Pin Diameter	Terminal	Terminal Plating	Color
DCJ	02004	X	SM	T	BK
DC Jack	Type 02004, side entry surface mount	A=2.0mm B=2.5mm	SM=Surface Mount	T=Tin	BK=Black

RoHS compliant

Rev.	Description	Date	Approved	Drawing	Name	Date
				Approved	Howard	06/06/13
				Checked	Lizzy	06/06/13
				Drawn	Tina	06/06/13
				0.0 ± 0.35	0.00 ± 0.20	Angles ± 3'
				UNIT: mm		

Central Components Manufacturing
440 Lincoln Blvd., Middlesex, New Jersey 08846
Phone 732 469-5720 888 288-5152 Fax 732 469-1919

Part No.: **DCJ-02004-X-SM-T-BK**

Description: DC Power Jack